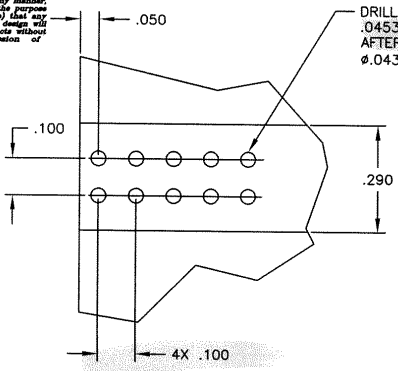
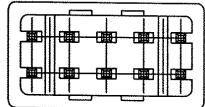
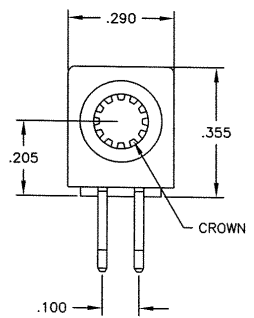
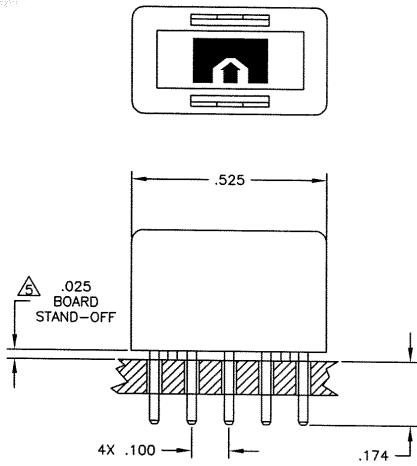


This drawing involves proprietary design rights of Tyco Electronics Corporation, and all design, manufacturing, reproduction, use and sale rights regarding the same are expressly reserved. It is intended for a specific purpose and the recipient by accepting this drawing, assumes the responsibility and agrees to take reasonable precautions: (a) that this drawing will not be copied and reproduced in whole or in part, or its contents revealed in any manner, or to any person except to meet the purpose for which it was delivered and (b) that any special features peculiar to this design will not be incorporated in other projects without the expressed written permission of Tyco Electronics Corporation.

| REVISIONS | | | |
|-----------|-----|-------------|----------|
| EC | REV | DESCRIPTION | DATE |
| | A | NEW RELEASE | 08.01.05 |



DRILLED HOLE DIAMETER
 $.0453 \pm .001$
 AFTER PLATING
 $\phi.043/.037 \ 10X$



6. REFERENCE TYCO PART NUMBER 6643229-1

Δ A FIVE-POUND (5lb) FORCES REQUIRED TO CORRECTLY SEAT THE CONNECTOR WITH PLATED THRU HOLES LESS THAN $\phi.040$ INCH.

4. FINISH:
 CROWN - GOLD PLATED
 CROWN HOLDER - SILVER PLATED

3. MATERIAL:
 INSULATOR - POLYESTER, GLASS FILLED, UL 94 V-0 RATED COLOR-BLACK
 CROWN - BECU
 CROWN HOLDER - PHOSPHOR BRONZE

2. ITEMS PROVIDED TO THIS SPECIFICATION SHALL BE IDENTIFIED ON CONTAINER WITH THE FOLLOWING INFORMATION PART NUMBER AND DATE CODE OF MANUFACTURE.

1. PART NUMBER CHANGES AND/OR DESIGN CHANGES AFFECTING ITEM INTERCHANGEABILITY REQUIRE PRIOR TYCO APPROVAL AND AUTHORIZATION BY REVISION TO THIS DRAWING.

NOTES: UNLESS OTHERWISE SPECIFIED

| | | | | |
|---|------------------|------------------|--|---|
| -INCH MM THIRD ANGLE PROJECTION UNLESS OTHERWISE SPECIFIED DIMENSIONS ARE IN INCHES (METRIC) TOLERANCES ANGLES $\pm .5^\circ$ DECIMALS .XXX \pm .XX $\pm .02$ | DRAWN LOVATO | DATE 08.01.05 | Tyco Electronics Corporation Menlo Park, Ca 94025 | |
| | CHECKED | | | TITLE CONNECTOR SOCKET PARALLEL, SOLDER .100 X .100 SPACING SLIMLINE ICCON |
| | APPROVED | | SIZE B | DWG NUMBER C= 6643229 |
| | DCA APPROVED | | REV. A | |
| ACAD FILE NUMBER C6643229A.DWG | DWG SCALE 4=1 | | SH 1 OF 1 | |