

4

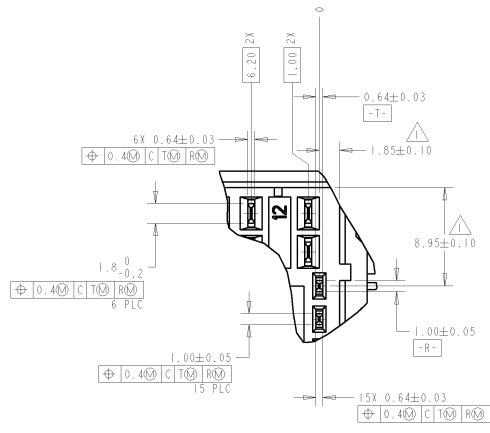
3

2

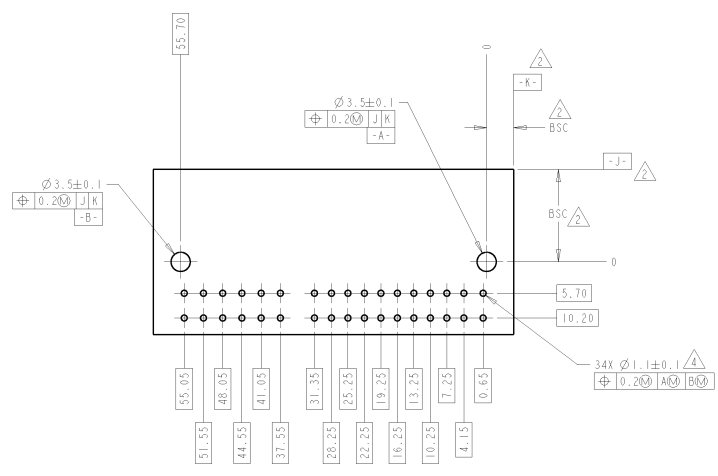
1

THIS DRAWING IS UNPUBLISHED. RELEASED FOR PUBLICATION
 (C) COPYRIGHT © BY TYCO ELECTRONICS CORPORATION. ALL RIGHTS RESERVED

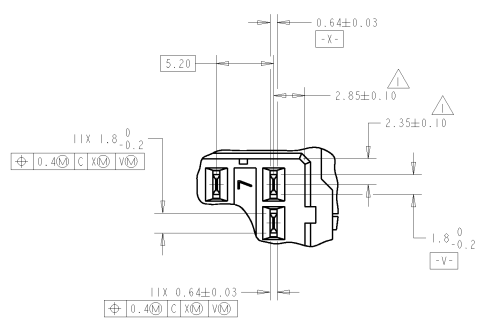
REV	DATE	DESCRIPTION	DATE	BY	APP'D
FX	00	SEE SHEET 1	-	-	-



DETAIL CC
SCALE 4:1



PC BOARD LAYOUT (SOLDER SIDE)
(RECOMMENDED BOARD THICKNESS 1.57mm)



DETAIL DD
SCALE 4:1

DIMENSIONS: mm TYPICAL DIMENSIONS FOR THIS DRAWING		OWN: VESTAL CO: COOPER PR: FROEGER	24NOV2004 24NOV2004 24NOV2004	tyco Electronics Tyco Electronics Harrisburg, PA 17105-3600
0 PLC ±0.3 1 PLC ±0.15 2 PLC ±0.15 3 PLC ±0.15 4 PLC ±0.15 ANGLES ±0°	PRODUCT SPEC APPLICATION SPEC WEIGHT CUSTOMER DRAWING	34 POSN., 040/070 HYBRID, HORIZONTAL MULTILOCK, WITH BOARDLOCKS	SIZE: A2 CASE CODE: 100779 DRAWING NO: 1438845	RESTRICTED TO SCALE: 2:1 SHEET: 2 OF 2 REV: A1

1438845

A