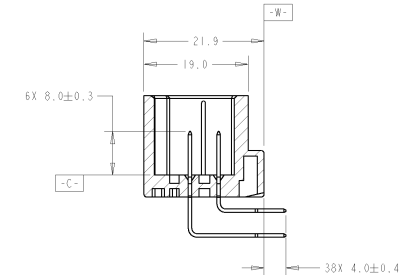
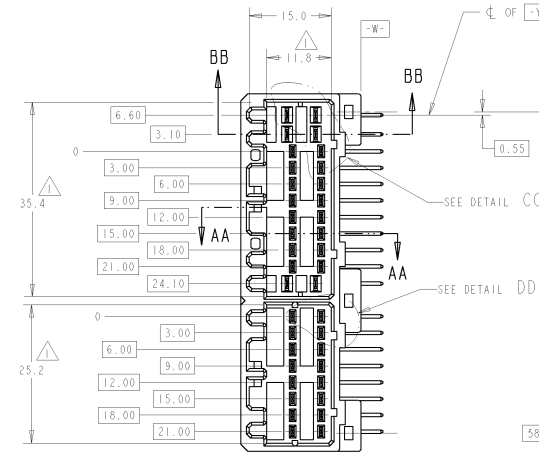


SECTION AA-AA
(.040 TABS)



SECTION BB-BB
(.070 TABS)

△ DIMENSION MUST BE HELD BETWEEN [-C-] AND 2mm FROM [-C-]
 △ DATUMS AND BASIC DIMENSIONS ESTABLISHED BY CUSTOMER.
 3. THE MATING PLUG PART NUMBERS ARE 917981 AND 917989.

REV	DATE	BY	CHKD	DESCRIPTION
00				REVISED PER EC 0080-0056-04
01	200404	DLB	BMC	

PRE-TIN	BRASS	GRAY	PBT	1438377-6
POST-TIN	BRASS	GRAY	PBT	9-1438377-6
CONTACT FINISH	CONTACT MATERIAL	COLOR	HOUSING MATERIAL	PART NUMBER
0	PLC	0	0	0
1	PLC	00.3	0	0
2	PLC	00.15	0	0
3	PLC	0	0	0
4	PLC	0	0	0
5	PLC	0	0	0
6	PLC	0	0	0
7	PLC	0	0	0
8	PLC	0	0	0
9	PLC	0	0	0
10	PLC	0	0	0
11	PLC	0	0	0
12	PLC	0	0	0
13	PLC	0	0	0
14	PLC	0	0	0
15	PLC	0	0	0
16	PLC	0	0	0
17	PLC	0	0	0
18	PLC	0	0	0
19	PLC	0	0	0
20	PLC	0	0	0
21	PLC	0	0	0
22	PLC	0	0	0
23	PLC	0	0	0
24	PLC	0	0	0
25	PLC	0	0	0
26	PLC	0	0	0
27	PLC	0	0	0
28	PLC	0	0	0
29	PLC	0	0	0
30	PLC	0	0	0
31	PLC	0	0	0
32	PLC	0	0	0
33	PLC	0	0	0
34	PLC	0	0	0
35	PLC	0	0	0
36	PLC	0	0	0
37	PLC	0	0	0
38	PLC	0	0	0

1438377

4

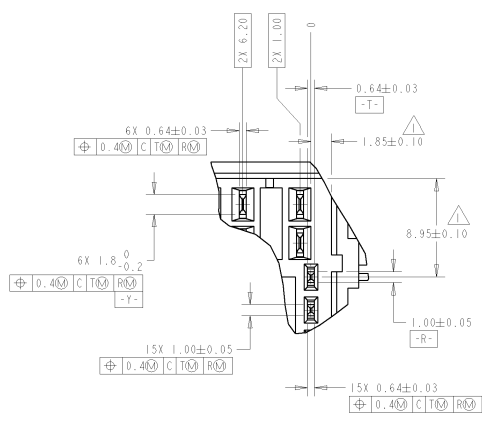
3

2

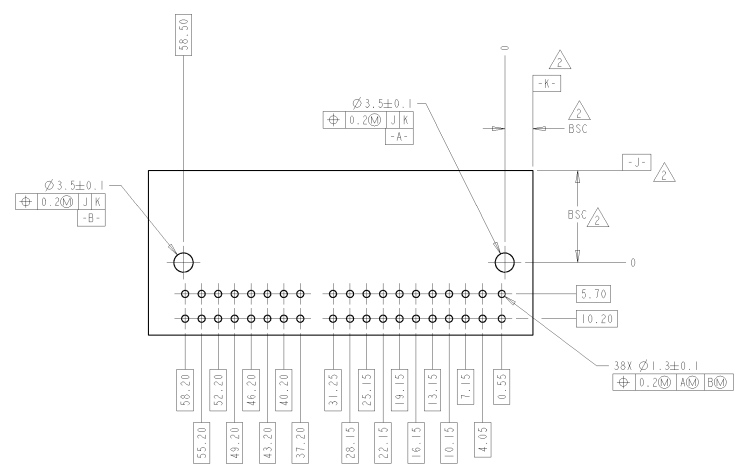
1

THIS DRAWING IS UNPUBLISHED. RELEASED FOR PUBLICATION BY TYCO ELECTRONICS CORPORATION. ALL RIGHTS RESERVED.

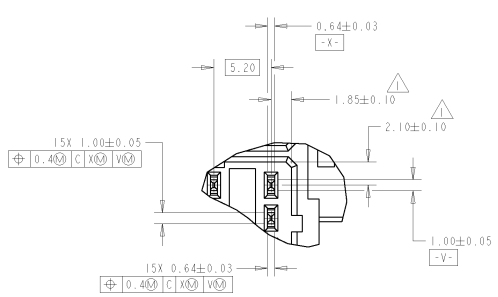
REV. NO.	DATE	BY	CHKD.	DESCRIPTION
00				SEE SHEET 1



DETAIL CC SCALE 4:1



PC BOARD LAYOUT (SOLDER SIDE)
(RECOMMENDED BOARD THICKNESS 1.57mm)



DETAIL DD SCALE 4:1

DIMENSIONS: mm DIMENSIONS: INCHES (CONVERSION)		DWG NO. VESTAL CHKD. BEVAK APP'D. BEVAK DATE 09JUL2002	tyco Electronics Tyco Electronics Harrisburg, PA 17105-3400
0 PLC ±0.15 1 PLC ±0.3 2 PLC ±0.15 3 PLC ±0.15 4 PLC ±0.15 ANGLES ±0.1	PRODUCT SPEC APPLICATION SPEC WEIGHT FINISH	PART NO. 040/070 CAP ASSEMBLY, 38 POSN, 040/070 HYBRID, HORIZONTAL, MULTILOCK, SCREW VERSION	SIZE CASE CODE DRAWING NO A2 100779 1438377 SCALE 2:1 SHEET 2 OF 2 REV C
MATERIAL		CUSTOMER DRAWING	RESTRICTED TO