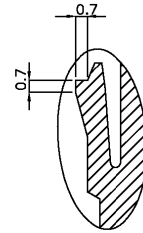
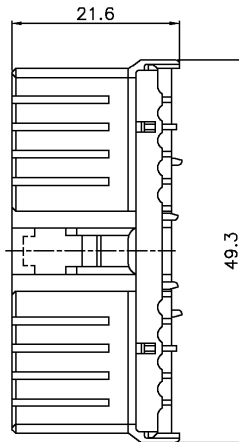
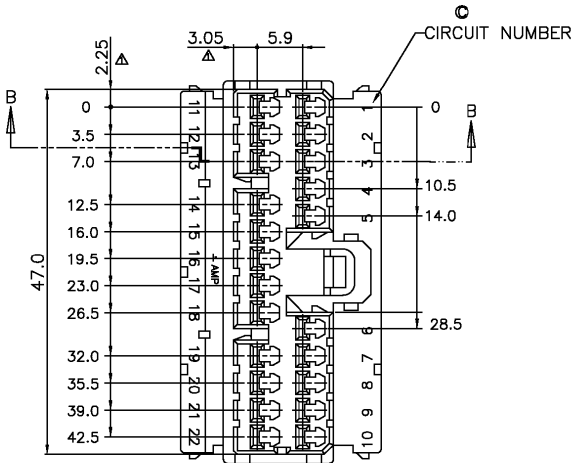


THIS DRAWING IS UNPUBLISHED. RELEASED FOR PUBLICATION  
 © COPYRIGHT BY TYCO ELECTRONICS CORPORATION, ALL RIGHTS RESERVED.

LOC DS DIST

REVISIONS

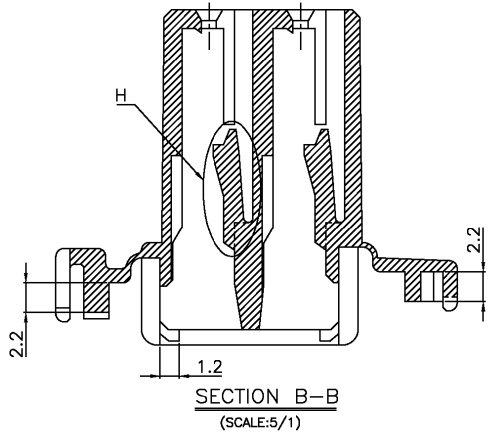
P	LTR	DESCRIPTION	DATE	DWN	APVD
0		RELEASED(RD96-366)	23/NOV/96	YJ	JK
A		REVISED(FC00-0070-01)	23/JUN/01	MS	CS
B		REVISED(FC00-0028-03)	21/MAR/03	MS	CS
C		REVISED(FC00-0140-04)	01/JUL/04	JG	CS



NOTES

1. Δ TO BE MEASURE BETWEEN [E-Z] AND 2.
2. APPLIED CONTACT P/N: 173630, 173631, 85098
3. TO BE MATED WITH CAP HSG SMOOTHLY
4. APPLIED CAP HSG P/N: 85097
5. CURRENT RATING: 10A MAX

③	85096-7	P.B.T	YELLOW
④	85096-1	P.B.T	WHITE
	P/N	MATERIAL	COLOR



THIS DRAWING IS UNPUBLISHED. RELEASED FOR PUBLICATION  
 IF IT IS SUBJECT TO CHANGE AND THE SUPPLIER HAS A RESPONSIBILITY TO CHECK FOR THE LATEST REVISION.

DIMENSIONS: mm	TOLERANCES UNLESS OTHERWISE SPECIFIED: 0 <XX<10 ± 0.2 10 <XX<30 ± 0.25 30 <XX ± 0.3 ANGLES ± 3°	APVD: CS LEE PRODUCT SPEC APPLICATION SPEC
MATERIAL SEE TABLE	FINISH	WEIGHT

DWN JG MDEN CHK BM JANG	<b>tyco</b> Electronics	AMP KOREA. kyungsan, korea
NAME	.070 MLC 22P PLUG HSG.	
SIZE	CAGE CODE	DRAWING NO
A3	00779	85096
RESTRICTED TO	SCALE 2/1	SHEET 1 OF 1
REV C		