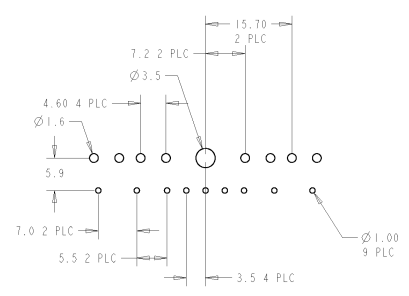
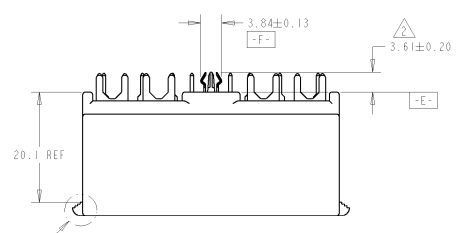
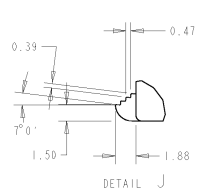
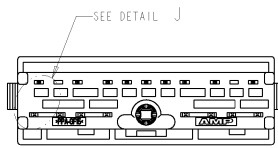
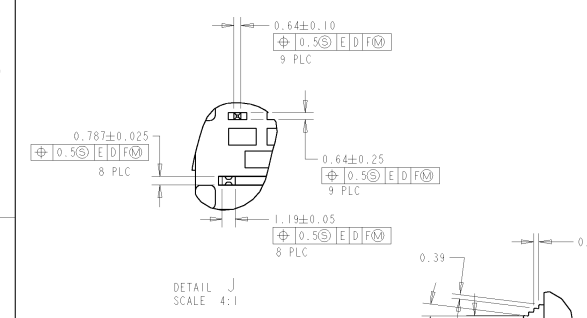
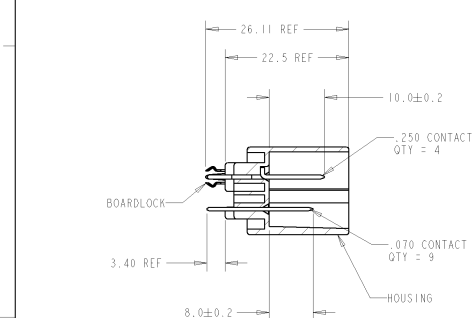


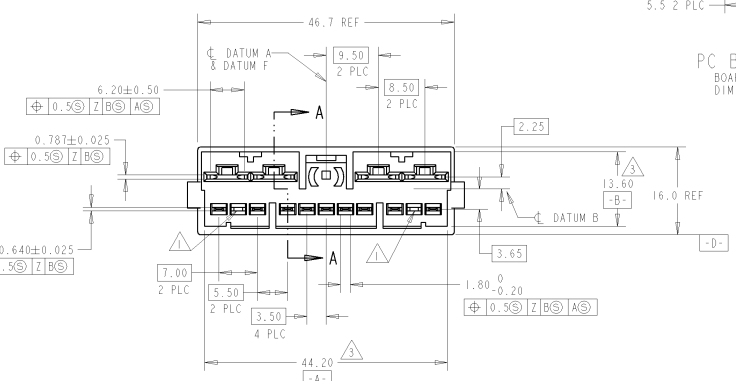
REVOLUTIONS		DATE	BY	APPROVED
FX	55			
E	REV PER EC 0800-0097-99	2012/09/09	JRB	MAN



PC BOARD LAYOUT  
BOARD THK: 1.6±0.15  
DIM TOLERANCE: ±0.1



SECTION A-A



- △ POSITIONS NOT LOADED
- 2. TAB RETENTION FORCE: 3kg MIN
- △ TO BE MEASURED 2MM FROM DATUM Z

TIN OVER NICKEL	BRASS	NATURAL	HIGH TEMP YELLOW	TIN OVER COPPER	BRASS	776197-1
BOARDLOCK FINISH	BOARDLOCK	HOUSING	HOUSING MATL	CONTACT FINISH	CONTACT MATERIAL	PART NUMBER

<small>THIS DRAWING IS UNPUBLISHED. RELEASED FOR PUBLICATION BY AMP INCORPORATED. ALL RIGHTS RESERVED.</small>		DATE: 12/MAR/98 BY: S. KROEGER APPROVED: S. KROEGER	AMP Incorporated Harrisburg, PA 17105-3600
DIMENSIONS: mm TOLERANCES UNLESS OTHERWISE SPECIFIED: .000 .000 .001 .001 .002 .002 .005 .005 .010 .010 .020 .020 .050 .050 .100 .100 .150 .150 .200 .200 .300 .300 .500 .500 1.000 1.000 2.000 2.000 5.000 5.000 10.000 10.000 20.000 20.000 50.000 50.000 100.000 100.000 200.000 200.000 500.000 500.000 1000.000 1000.000	DIMENSIONS: mm TOLERANCES UNLESS OTHERWISE SPECIFIED: .000 .000 .001 .001 .002 .002 .005 .005 .010 .010 .020 .020 .050 .050 .100 .100 .150 .150 .200 .200 .300 .300 .500 .500 1.000 1.000 2.000 2.000 5.000 5.000 10.000 10.000 20.000 20.000 50.000 50.000 100.000 100.000 200.000 200.000 500.000 500.000 1000.000 1000.000	TITLE: 070/250 13/15 POSITION CONNECTOR ASSEMBLY CASE CODE: A2 DRAWING NO: 00779 SCALE: 2:1 SHEET: 1 OF 1 REV: F	MATERIAL: SEE TABLE FINISH: SEE TABLE WEIGHT: - CUSTOMER DRAWING