

4

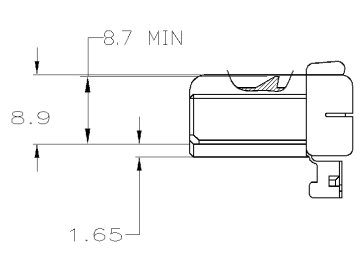
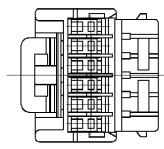
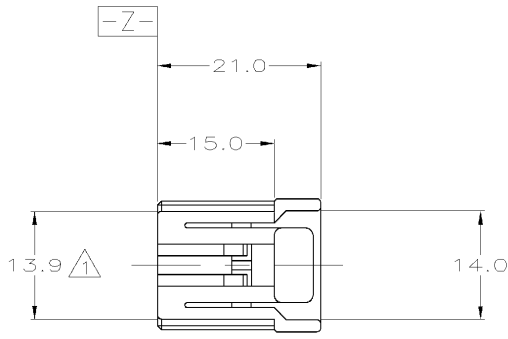
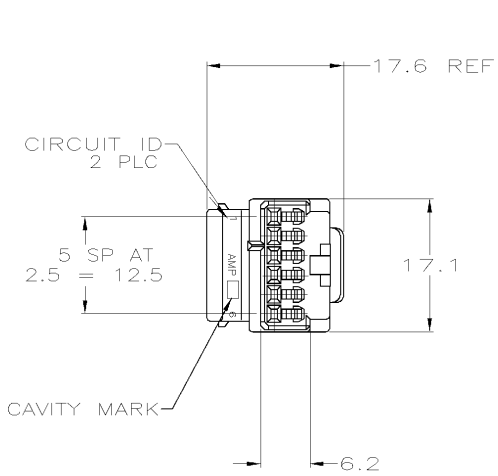
3

2

1

THIS DRAWING IS UNPUBLISHED. RELEASED FOR PUBLICATION  
 © COPYRIGHT BY TYCO ELECTRONICS CORPORATION. ALL RIGHTS RESERVED.

LOC	DIST	REVISIONS			
P	LTR	DESCRIPTION	DATE	DWN	APVD
FX	55	C	EC 0K80-0162-02	07JUN02	JRB/SSA



- 1. MUST BE HELD BETWEEN **-Z-** AND 2MM
- 2. MATES TO MOLDED-IN INTERFACE DEVICE
- 3. APPLIED RECEPTACLE CONTACT PART NUMBER IS 173681

GRAY	776195-6
COLOR	PART NUMBER

THIS DRAWING IS A CONTROLLED DOCUMENT.		DWN	P. YEAGER	5-23-96	<b>tyco</b> Electronics	Tyco Electronics Corporation	
DIMENSIONS:		CHK	R. GRAY	5-23-96		Harrisburg, PA 17105-3608	
MM	TOLERANCES UNLESS OTHERWISE SPECIFIED:	APVD	R. GRAY	5-23-96	NAME	6 POSN PLUG HSG, RIGHT KEY	
	0 PLC ± 0.25	PRODUCT SPEC		108-5281		.040 SERIES MULTI-LOCK I/O CONN	
	1 PLC ± 0.15	APPLICATION SPEC		-		-	
	2 PLC ± 0.1	WEIGHT		-		-	
	3 PLC ± -	SIZE		A3		-	
	4 PLC ± -	CAGE CODE		00779		-	
	ANGLES ± -	DRAWING NO		C-776195		-	
MATERIAL	FINISH	CUSTOMER DRAWING		SCALE		2:1	
-	-	SHEET		1		OF 1	
		REV		C			

AMP 1470-19 REV 31MAR2000

H:\ACADmod\ECNs\