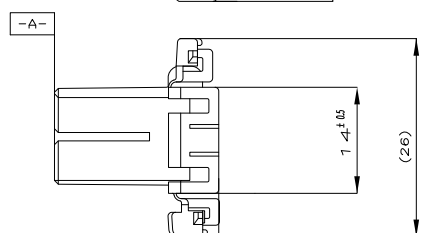
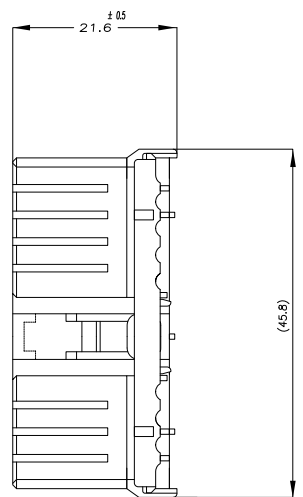
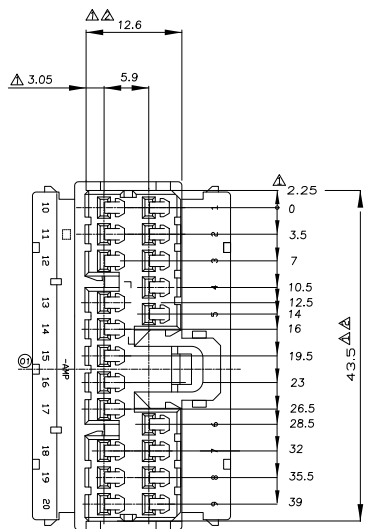


THIS DRAWING IS UNPUBLISHED. RELEASED FOR PUBLICATION 20
 © COPYRIGHT 20 BY TYCO ELECTRONICS CORPORATION. ALL RIGHTS RESERVED.

LOC	DIST	REVISIONS			
P	LTR	DESCRIPTION	DATE	DWN	APVD
0		RELEASED(RD98-146)	01.JUN'98	HS	CS
01		REVISED(ECR-08-017766)	16.JUL'08	YC	HG



- Notes
1. MUST BE KEPT BETWEEN -A- AND 2mm
 2. TO BE MATED WITH CAP HSG SMOOTHLY
 3. APPLIED REC CONTACT P/N : 173630 & 173631
 4. APPLIED CAP HSG P/N : 368510

BLACK	TRIBIT 1503(S)K	0-368511-2
NATURAL	TRIBIT 1503(S)K	0-368511-1
COLOR	MATERIAL	P/N

<small>THIS DRAWING IS A CONTROLLED DOCUMENT FOR TYCO ELECTRONICS CORPORATION. IT IS SUBJECT TO CHANGE AND THE CONTROLLING ENGINEERING ORGANIZATION SHOULD BE CONTACTED FOR THE LATEST REVISION.</small>		DWN: YC LEE CHK: YM CHOI APVD: HG CHO PRODUCT SPEC: - APPLICATION SPEC: - WEIGHT: - CUSTOMER DRAWING: -		AMP KOREA Kyungsan, Korea NAME: .070 MLC 20P PLUG HSG SIZE: A3 CAGE CODE: D0779 DRAWING NO: C-368511 RESTRICTED TO: -	
DIMENSIONS: MILLIMETER 		TOLERANCES UNLESS OTHERWISE SPECIFIED: □□□□10 ± 0.2 □□□□30 ± 0.25 □□□□ ± 0.3 ANGLES ± 3°		SCALE: 2:1 SHEET: 1 OF 1 REV: 01	
MATERIAL: SEE TABLE		FINISH:			