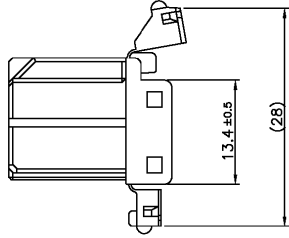
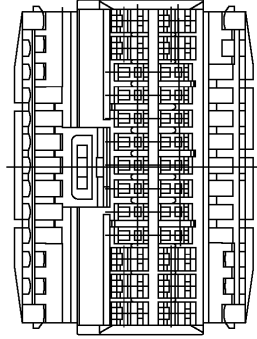
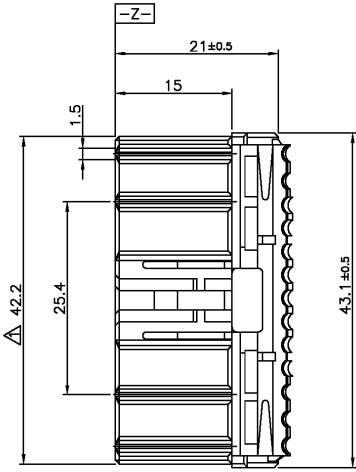
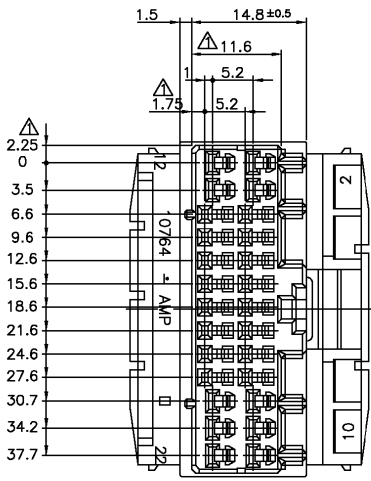


THIS DRAWING IS UNPUBLISHED. RELEASED FOR PUBLICATION
 © COPYRIGHT BY TYCO ELECTRONICS CORPORATION, ALL RIGHTS RESERVED.

LOC	DIST	REVISIONS			
P	LTR	DESCRIPTION	DATE	DWN	APVD
	O	RELEASED(RD96-369)	NOV/25/96	HS	CS
	A	REVISED(FC00-0115-98)	DEC/24/98	HS	CS
	B	REVISED(FC00-0084-03)	09/JUN/03	HS	CS



YELLOW	-7
GRAY	-6
BLACK	-2
NATURAL	-1
COLOR	P/N

NOTES;
 1. Δ MUST BE KEPT BETWEEN [-Z-] AND 2mm.
 2. THE MATING CAP HOUSING PART NUMBER, 174518
 3. APPLIDE CONTACT PART NUMBER, 173631, 173716
 4. APPLICABLE PRODUCT SPEC NO. 108-5280

<small>THE PROBLEM OF A CHANGING DESIGN FOR ANY ELECTRICAL COMPONENT IS SUBJECT TO CHANGE AND THE SUPPLYING MANUFACTURER'S DRAWING SHOULD BE CONSULTED FOR THE LATEST REVISION.</small>		DWN	tyco <i>Electronics</i>		AMP KOREA. kyungsan, korea
DIMENSIONS: MM		CHK	NAME		
TOLERANCES UNLESS OTHERWISE SPECIFIED: 0 <XX<10 ± 0.2 10 <XX<30 ± 0.25 30 <XX ± 0.3 ANGLES ± 3°		APVD	26P PLUG HOUSING, HYBRID I/O CONN.		
 3rd ANGLE PROJECTION		PRODUCT SPEC	SIZE	CAGE CODE	DRAWING NO
MATERIAL PBT		APPLICATION SPEC	A3	00779	368136
FINISH		WEIGHT	RESTRICTED TO		
			SCALE	SHEET	REV
			2/1	1 OF 1	B