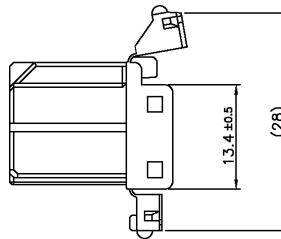
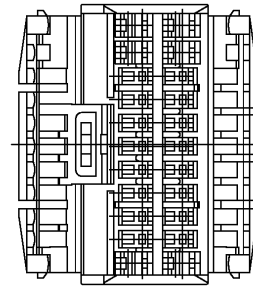
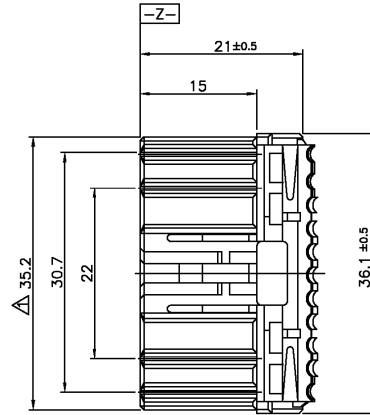
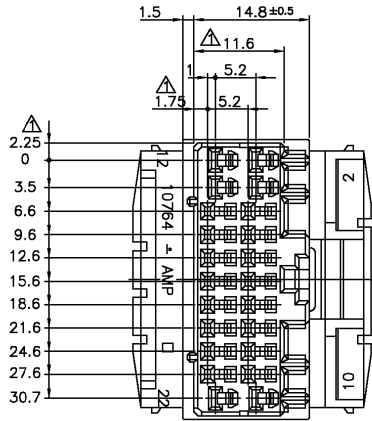


THIS DRAWING IS UNPUBLISHED. RELEASED FOR PUBLICATION
 © COPYRIGHT BY TYCO ELECTRONICS CORPORATION, ALL RIGHTS RESERVED.

LOC	DIST	REVISIONS			
P	LTR	DESCRIPTION	DATE	DWN	APVD
O		RELEASED(RD96-369)	25/NOV/96	HS	CS
A		REVISED(FC00-0084-03)	08/JUN/03	HS	CS



YELLOW	-7
GRAY	-6
BLACK	-2
NATURAL	-1
COLOR	P/N

NOTES;

- △ MUST BE KEPT BETWEEN $\square-Z$ AND 2mm.
- THE MATING CAP HOUSING PART NUMBER, 174518
- APPLIDE CONTACT PART NUMBER, 173631, 173716
- APPLICABLE PRODUCT SPEC NO. 108-5280

<small>THE DIMENSIONS OF THIS DRAWING ARE FOR INFORMATION ONLY. DIMENSIONS SHOWN ON THIS DRAWING ARE SUBJECT TO CHANGE AND THE SUPPLIER'S DIMENSIONS SHOULD BE CONSULTED FOR THE LATEST REVISION.</small>		DWN	tyco <i>Electronics</i>		AMP KOREA. kyungsan, korea
DIMENSIONS: MM		CHK	NAME		
TOLERANCES UNLESS OTHERWISE SPECIFIED: 0 <XX<10 ± 0.2 10 <XX<30 ± 0.25 30 <XX ± 0.3 ANGLES ± 3°		APVD	22P PLUG HOUSING, HYBRID I/O CONN.		
 3rd ANGLE PROJECTION		PRODUCT SPEC	SIZE	CAGE CODE	DRAWING NO
MATERIAL PBT		APPLICATION SPEC	A3	00779	368135
FINISH		WEIGHT	RESTRICTED TO		
			SCALE	SHEET	OF
			2/1	1	1
				REV	A