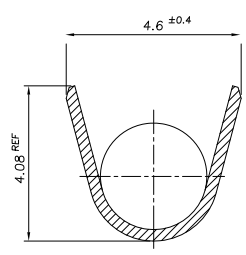
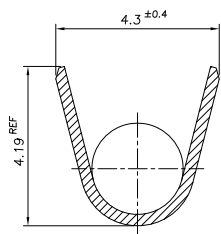
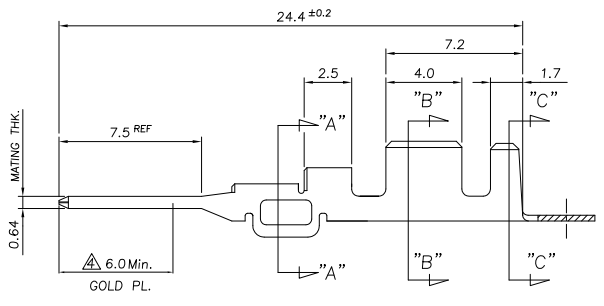
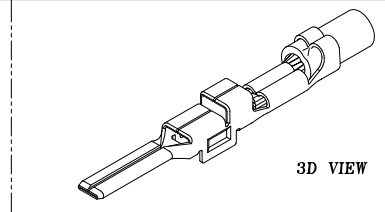
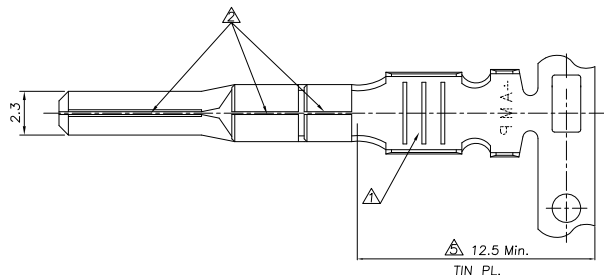


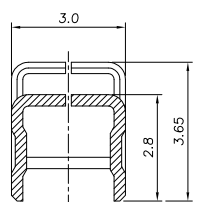
THIS DRAWING IS UNPUBLISHED. RELEASED FOR PUBLICATION
 © COPYRIGHT BY TYCO ELECTRONICS CORPORATION. ALL RIGHTS RESERVED.

LOC	DIST	REVISIONS					
DS	-	P	LTR	DESCRIPTION	DATE	DWN	APVD
		B		REDRAWN W/CHANGE (FC00-0065-04)	08.APR.'04	JG	CS
		BI		REVISED (ECR-09-015771)	15.JUL.'09	KT	HG



SECTION "B-B"
SCALE=10/1

SECTION "C-C"
SCALE=10/1



SECTION "A-A"
SCALE=10/1

- * NOTES
 ▲ THREE SERRATIONS CENTERED IN WIRE BARREL.
 △ 0.15 MAX GAP PERMISSIBLE.
 3 WIRE SIZE EQUIV AVSS 2.0 ~ AESSXF 2.5sqmm.Ⓜ

▲▲ SELECTIVE GOLD PRE-TINNED	BRASS STRIP 0.30THK.	1-368086-1 368086-1
FINISH	MATERIAL	PART NUMBER

<small>THIS DRAWING IS A CONTROLLED DOCUMENT FOR TYCO ELECTRONICS CORPORATION. IT IS SUBJECT TO CHANGE AND THE CONTROLLING ORGANIZATION SHOULD BE CONTACTED FOR THE LATEST REVISION.</small>		DWN KT JUNG	Tyco Electronics Kyungsan, Korea	
DIMENSIONS: MM	TOLERANCES UNLESS OTHERWISE SPECIFIED:	CHK JW JUNG	NAME	
	0 <XXX<10 ± 0.2	APVD HS CHD	.090 II MLC TAB CONTACT	
	10<XXX<30 ± 0.25	PRODUCT SPEC 108-61021	SIZE	CAGE CODE
MATERIAL	FINISH	APPLICATION SPEC 114-61004	DRAWING NO	RESTRICTED TO
SEE TABLE	SEE TABLE	WEIGHT NET: 0.37gf	A3 00779C-368086	-
		CUSTOMER DRAWING	SCALE 5/1	SHEET 1 OF 1 REV B1