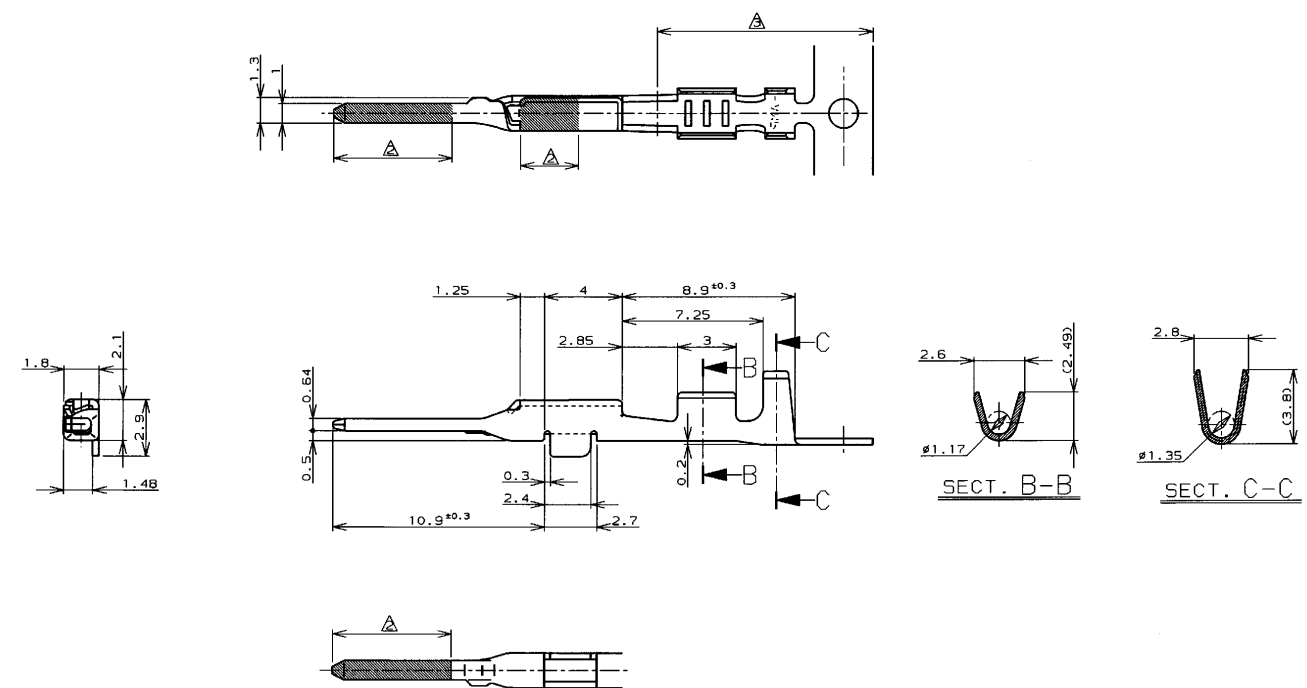


THIS DRAWING IS UNPUBLISHED. RELEASED FOR PUBLICATION
 © COPYRIGHT 1996 BY AMP INCORPORATED. ALL RIGHTS RESERVED.

REVISONS						
P	LTR	DESCRIPTION	ECN	DATE	DWN	APVD
0		DRAWN	FJ00-5920-96	20DEC96	HY	NS
A		REVISED	FJ00-1823-97	08DEC97	2yf	NS



注記,
 1. 適用電線: AVSS, CAVS 0.3-0.5mm²
 △ 金めつき範囲 (-2のみ).
 △ すずめつき範囲 (-2のみ).

NOTES,
 1. APPLICABLE WIRE RANGE ;
 AVSS,CAVS 0.3-0.5mm²
 △ GOLD PLATING AREA (-2 ONLY)
 △ TIN PLATING AREA (-2 ONLY)

SELECTIVE GOLD/TIN (部分金めつき/すずめつき) △△	353537-2
PRE-TIN (すずめつき済)	353537-1
FINISH (仕上)	PART NUMBER (型番)

THIS DRAWING IS A CONTROLLED DOCUMENT FOR AMP INCORPORATED. IT IS SUBJECT TO CHANGE AND THE CONTROLLING ENGINEERING ORGANIZATION SHOULD BE CONTACTED FOR THE LATEST REVISION.		DMN H. YAMAGAMI	20DEC96
DIMENSIONS: 単位: mm		CHK D. MATSUURA	20DEC96
TOLERANCES UNLESS OTHERWISE SPECIFIED		APVD N. SAI	20DEC96
一般公差 10% ±0.2 30% ±0.25 100% ±0.3 ANGLE ±3°	MATERIAL BRASS 黄銅	PRODUCT SPEC 製品規格 —	20DEC96
FINISH 仕上 SEE TABLE 表参照	APPLICATION SPEC 取付適用規格 114-5228	WEIGHT 0.31g	NAME .040 III UNSEALED CONTACT, TAB (S)
CUSTOMER DRAWING		SIZE A3	CAGE CODE 00779
		DRAWING NO. C-353537	SCALE 5-1
		SHEET 1	REV A