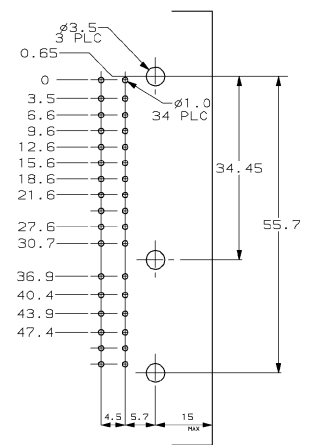
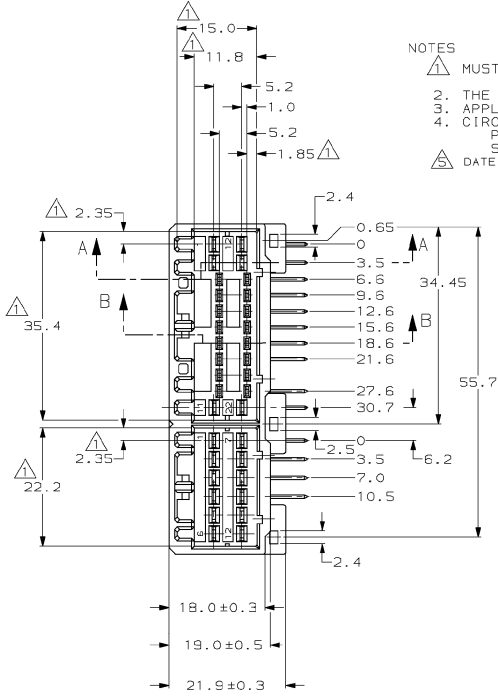
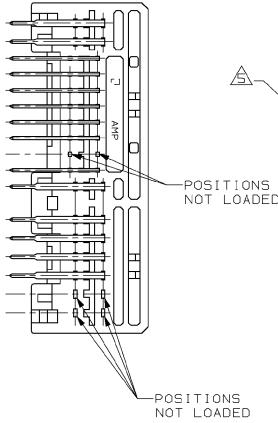


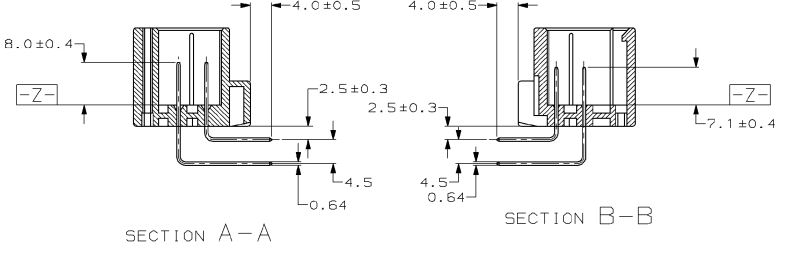
THIS DRAWING IS UNPUBLISHED. RELEASED FOR PUBLICATION BY AMP INCORPORATED. ALL RIGHTS RESERVED.

LOC	DIST	REV	DESCRIPTION	DATE	BY	APPD
FX	55					
		C	REV PER EC OK80-0077-98	5-15-98	JLM	RS

- NOTES
- MUST BE KEPT BETWEEN $-Z-$ AND 2
 - THE MATING PLUG HSG. PART NUMBER: 178881, 917989
 - APPLICABLE PRODUCT SPEC NO. 108-5280
 - CIRCUIT NUMBER
POWER CIRCUIT NO. 1 THRU 18
SIGNAL CIRCUIT NO. 19 THRU 34
DATE CODE BY HOT MARK



(COUNTING DIMENSIONS FOR P.C. BOARD, TOLERANCE ± 0.1)



NATURAL	776190-1
GRAY	776190-6
COLOR	PART NUMBER

<small>THIS DRAWING IS A COMPANY PROPERTY AND IS UNPUBLISHED. IT IS TO BE KEPT IN CONFIDENTIALITY AND IS NOT TO BE REPRODUCED OR TRANSMITTED IN ANY FORM OR BY ANY MEANS, ELECTRONIC OR MECHANICAL, INCLUDING PHOTOCOPYING, RECORDING, OR BY ANY INFORMATION STORAGE AND RETRIEVAL SYSTEM, WITHOUT THE WRITTEN PERMISSION OF AMP INCORPORATED.</small>		DWA YEAGER 1-21-97
DIMENSIONS: MILLIMETERS UNLESS OTHERWISE SPECIFIED.		OK GRAY 1-21-97
MATERIAL: HOUSING, PBT BLADES, 0.64 THK BRASS		NAME 28/34 POSN CAP HOUSING ASSY .040/.070 HYBRID I/O CONNECTOR PARTIALLY LOADED
WEIGHT: 16.54 GRAMS		SIZE: A2 CASE CODE: 00779 DRAWING NO: C=776190
CUSTOMER DRAWING		SCALE: 2:1 SHEET: 1 OF 1 REV: C

Lead Free Conversion in Process - Refer to Specification 230-700 at www.tycoelectronics.com/leadfree