

4

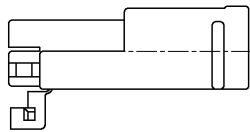
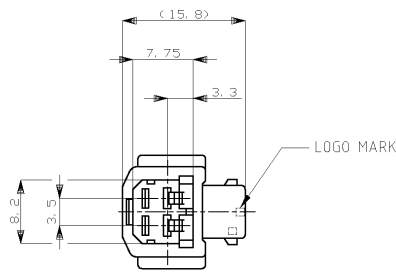
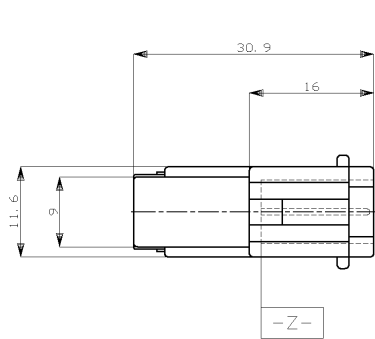
3

2

1

THIS DRAWING IS UNPUBLISHED. RELEASED FOR PUBLICATION  
 © COPYRIGHT - By - ALL RIGHTS RESERVED.

LOC	DIST	REVISIONS					
J	-	P	LTR	DESCRIPTION	DATE	DWN	APVD
		G3	REVISED	ECR-11-020718	13OCT11	TS	KB



- 1. MUST BE KEPT BETWEEN [-A-] AND 2mm
- 2. THE MATING PLUG HOUSING PART NUMBER 174463
- 3. APPLIED TAB CONTACT : PN 173645, 173633.

- 1. [-A-] 面より2mmの範囲で測定
- 2. 嵌合相手ハウジング型番 174463
- 3. 内装するタブコンタクトは型番 173645, 173633

	黄 (YELLOW)	174460-7
	灰 (GRAY)	174460-6
OBSOLETE	青 (BLUE)	174460-5
	黒 (BLACK)	174460-2
	白 (WHITE)	174460-1
	色 (COLOR)	型番 (PART NUMBER)

TOLERANCE UNLESS OTHERWISE SPECIFIED.  
一般公差

0 < x < 10	: ±0.2
10 < x < 30	: ±0.25
30 < x < 100	: ±0.3
ANGLE	: ±3°

THIS DRAWING IS A CONTROLLED DOCUMENT.

DIMENSIONS: 単位: 純 mm	TOLERANCES UNLESS OTHERWISE SPECIFIED: 一般公差
	0 PLC ± -
	1 PLC ± -
	2 PLC ± -
	3 PLC ± -
	4 PLC ± -
	ANGLES ± -
MATERIAL 材料 PBT	FINISH 仕上 -

DWN S.FUJITA 18AUG08	CHK K.BETSUI 18AUG08	APVD K.BETSUI 18AUG08	NAME 名称
TE Connectivity			.070 SERIES MULTILOCK I/O CONNECTOR 2POSITION CAP HOUSING W-W
PRODUCT SPEC 製品規格 103-5264			
APPLICATION SPEC 取付適用規格 114-5092			SIZE 寸法 A3
WEIGHT 重量 2.1 g			CAGE CODE 名番 00779
CUSTOMER DRAWING			DRAWING NO. 番号 174460
SCALE 尺度 2:1			RESTRICTED TO —
SHEET 1 OF 1			REV G3