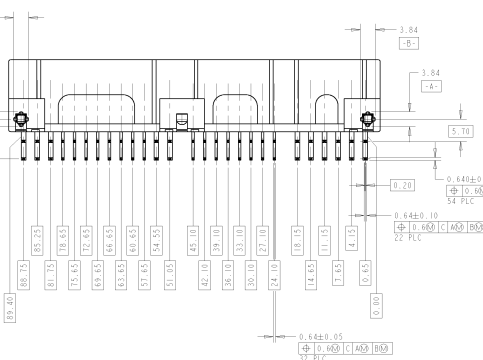
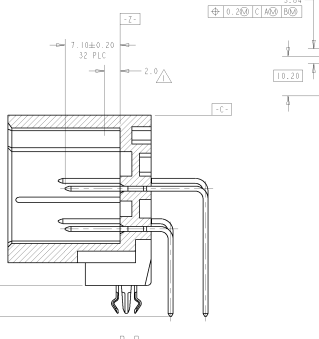
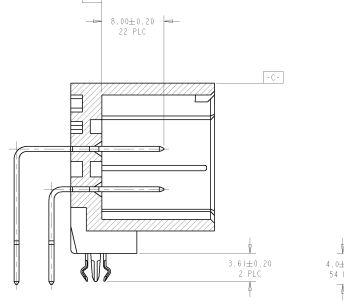
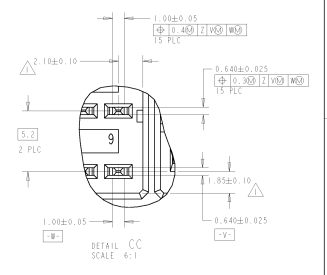
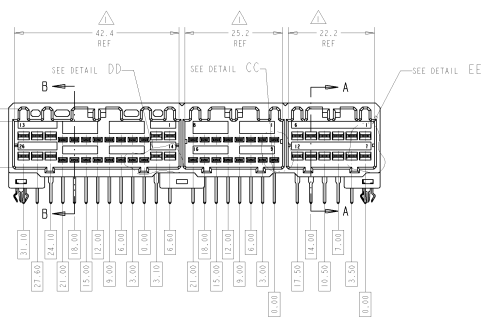
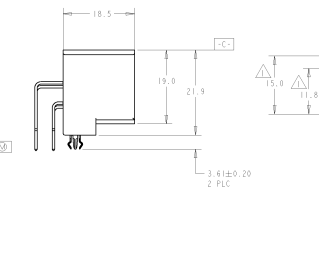
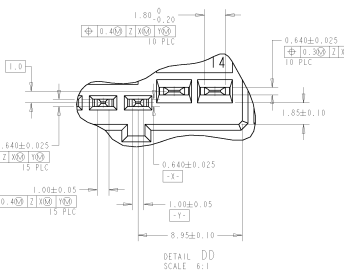
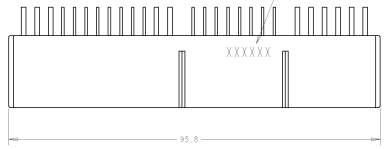
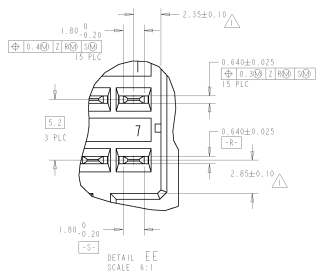
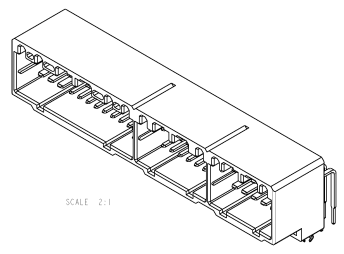


DATE: 01/15/81
 DRAWN BY: J. J. BROWN
 CHECKED BY: J. J. BROWN
 TITLE: 0407070 CAP ASSEMBLY

REV	DATE	DESCRIPTION	BY	CHKD	APPD
1	01/15/81	RELEASED PER APP 49026	J. J. BROWN	J. J. BROWN	J. J. BROWN
2	01/15/81	REVISED PER EC 0880-0155-93	J. J. BROWN	J. J. BROWN	J. J. BROWN
3	01/15/81	REVISED PER EC 0880-0171-04	J. J. BROWN	J. J. BROWN	J. J. BROWN

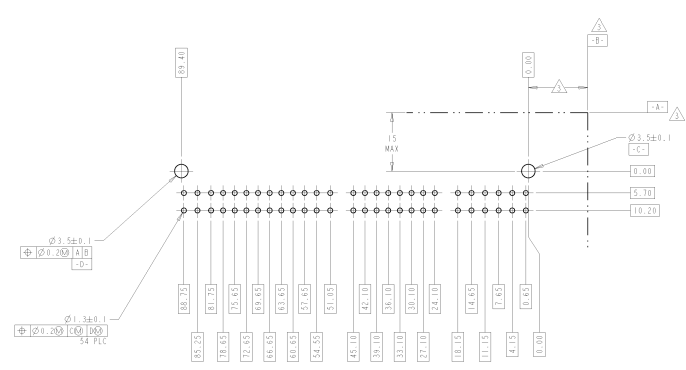
△ DIMENSION MUST BE HELD BETWEEN -2 AND 2 mm FROM -2
 △ DATE CODE
 △ DIMENSIONS AND BASIC DIMENSIONS ESTABLISHED BY CUSTOMER
 4. MATING PLUGS ARE 12 POSN : 917918
 18 POSN : 917981
 26 POSN : 917992



POST TIN	BRASS	PRE-TIN	BRASS	GRAY	PBT	638750-6
BOARDLOCK FINISH	BOARDLOCK MATERIAL	CONTACT FINISH	CONTACT MATERIAL	COLOR	HOUSING MATERIAL	PART NUMBER
SEE TABLE	SEE TABLE	SEE TABLE	SEE TABLE	SEE TABLE	SEE TABLE	SEE TABLE

8	7	6	5	4	3	2	1
DATE MANAGED BY: SUPERVISOR		REVISIONS FOR: PURCHASER					
BY: TERRY ELECTRONICS CORPORATION, 1111000110000000							

REV	DATE	DESCRIPTION	BY	CHK	APP
FX	00	SEE SHEET 1			



P.C. BOARD LAYOUT

AMP TYPED ELECTRONICS HARRISBURG, PA 17108-1800		DATE: 08/01/88 SCALE: 1:1 DRAWN: J. J. J. CHECKED: J. J. J. APPROVED: J. J. J. TITLE: 0407070 CAP ASSEMBLY, 54 POSITION HORIZONTAL, WITH BOARDLOCKS
PART: 0407070 REV: 02 MATERIAL:	CUSTOMER DRAWING:	PART: 0407070 REV: 02 DATE: 08/01/88 BY: J. J. J. CHECKED: J. J. J. APPROVED: J. J. J.