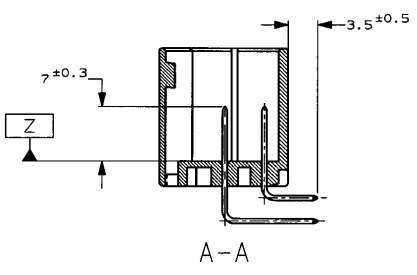
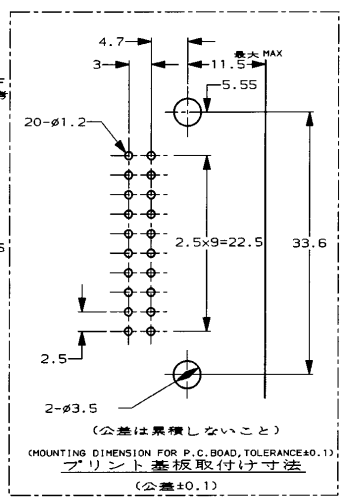
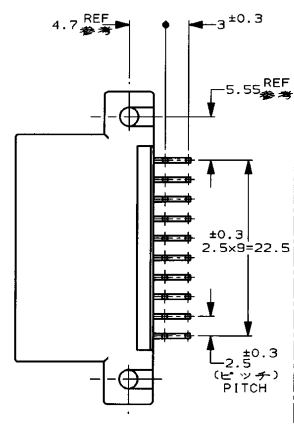
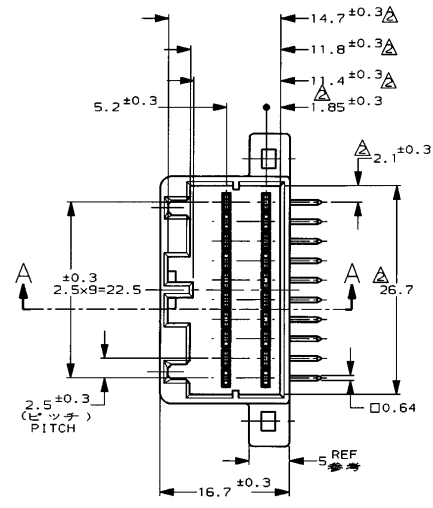
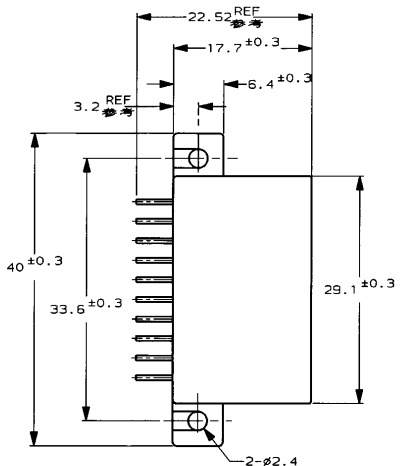


LOC	DISY	REVISIONS						
		P	LTR	DESCRIPTION	ECN	DATE	DWN	APVD
J	ZD1	0		RELEASED 作成	FJ00-5046-96	9/10'96	SA	KO
		A		REVISED 変更	FJ00-0055-97	3/1'97	SA	2/7



1. RECOMMENDED MOUNTING SCREW 3mmDIA 6mmLENGTH (MAX) PAN HEAD, CLASS
 - 2 TAPPING SCREW SPECIFIED IN JIS B1115, B1112 (TIGHTENING TORQUE; 39.2Nm [4Kg-cm MAX])
- △ TO BE MEASURED WITHIN 2mm FROM [Z-]

1. 推奨取付ネジ: JIS B1115, B1122 タッピングネジ、M3X6 ナベ2種 (締付トルク: 39.2Nm [4Kg-cm以下])
- △ [Z-] 面より2mmの範囲で測定

淡灰 (LIGHT GRAY)	316993-6
色 (COLOR)	P/N

THIS DRAWING IS A CONTROLLED DOCUMENT FOR AMP INCORPORATED. IT IS SUBJECT TO CHANGE AND THE CONTROLLING ENGINEERING ORGANIZATION SHOULD BE CONTACTED FOR THE LATEST REVISION.		DWN S. AMEMIYA 9/10'96	AMP 株式会社アンプ Kawasaki, Japan	
DIMENSIONS: 単位: 寸 mm	TOLERANCES UNLESS OTHERWISE SPECIFIED 一般公差 10% ±0.2 30% ±0.25 100% ±0.3 ANGLE: 45°	CHK H. KITAMURA 9/10'96	NAME 20極 キャップハウジング アッセンブリ	PRODUCT SPEC 108-5452
MATERIAL 材料	BRASS PBT (COLOR) 表参照 (SEE TABLE)	APVD K. ODA 9/10'96	SIZE 20Pos CAP HOUSING ASS'Y .040 II SERIES MULTILOCK I/O CONN	APPLICATION SPEC 取付適用規格 114-5159
CUSTOMER DRAWING		A3	CAGE CODE 00779	DRAWING NO. C=316993
		SCALE 2:1		SHEET 1 OF 1 REV A