

4

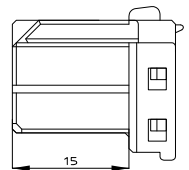
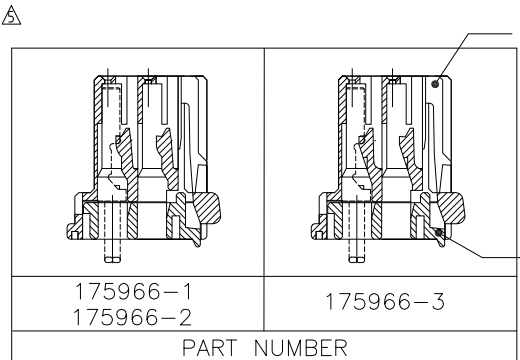
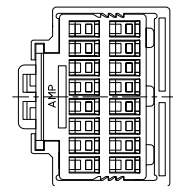
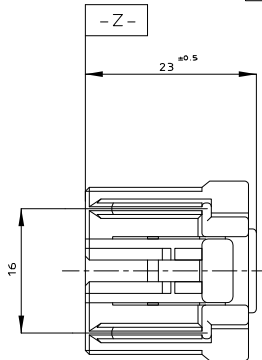
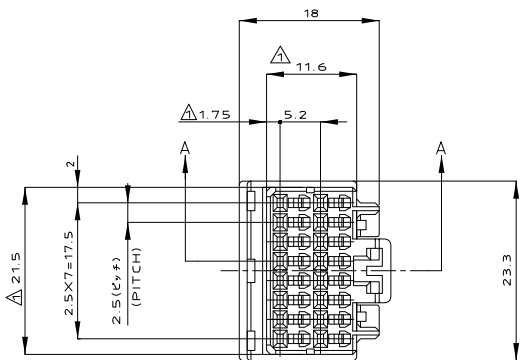
3

2

1

THIS DRAWING IS UNPUBLISHED. RELEASED FOR PUBLICATION ALL RIGHTS RESERVED.

REVISED PER ECO-11-005140		DATE	DWN	APVD
B2		28MAR11	RK	HMR



- △ MUST BE KEPT BETWEEN  $\square$ -Z- AND 2mm
- 2 THE MATING CAP HSG. PART NUMBER;175615,175976
- 3 APPLIED CONTACT PART NUMBER;173681
- 4 APPLICABLE PRODUCT SPEC NO.;108-5281
- △ THIS PLUG HOUSING HAVE TWO KINDS OF LANCE TYPE.

- △  $\square$ -Z- 面より2mmの範囲で測定。
- 2 かん合相手ハウジング型番;175615,175976
- 3 内装するリセパクルコンタクト型番;173681
- 4 適用製品規格番号;108-5281
- △ 本プラグハウジングは2タイプのランス形状がある

BLACK	175966-3
BLACK	175966-2
NATURAL	175966-1
COLOR	PART NUMBER

175966-1 175966-2	175966-3
PART NUMBER	

A - A

THIS DRAWING IS A CONTROLLED DOCUMENT.		DWN K. SUZUKI 24OCT89	<b>STE</b> TE Connectivity	
DIMENSIONS: 単位: 純 mm		CHK Y. MATSUSAKA 24DEC89		
TOLERANCES UNLESS OTHERWISE SPECIFIED: 一般公差		APVD M. NOGUCHI 24DEC89	NAME 名称 040 SERIES MULTILOCK I/O CONNECTOR MK-II 16POSITION PLUG HOUSING ASSEMBLY	
0 PLC ± - 1 PLC ± - 2 PLC ± - 3 PLC ± - 4 PLC ± - ANGLES ± -		PRODUCT SPEC 製品規格 108-5281	APPLICATION SPEC 取付適用規格	
MATERIAL 材料 PBT	FINISH 仕上 COLOR HOUSING: SEE TABLE PLATE: NATURAL	WEIGHT 4.0 g	SIZE A3	CAGE CODE 00779
TOLERANCE UNLESS OTHERWISE SPECIFIED: 一般公差 0 < x ≤ 10 : ±0.2 10 < x ≤ 30 : ±0.25 30 < x ≤ 100 : ±0.3 ANGLE : ±3°		CUSTOMER DRAWING	DRAWING NO 番号 175966	RESTRICTED TO -
		SCALE 尺度 2:1	SHEET 1 OF 1	REV B2