

4

3

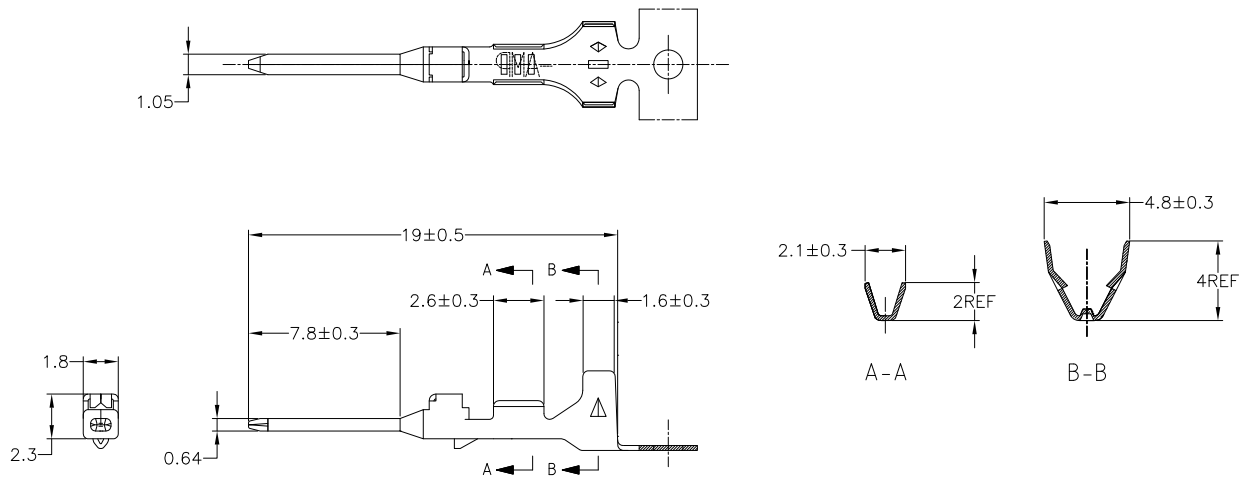
2

1

THIS DRAWING IS UNPUBLISHED. RELEASED FOR PUBLICATION
 © COPYRIGHT - By - ALL RIGHTS RESERVED.

LOC	DIST	REVISIONS					
J	-	P	LTR	DESCRIPTION	DATE	DWN	APVD
		C3		REVISED PER ECO-11-005140	28MAR11	RK	HMR

-1: AS SHOWN
 本図



- 相手側端子型番 : 173681
- バラ状端子型番 : 175063

- MATING RECEPTACLE NUMBER: 173681
- LOOSE PIECE NUMBER: 175063

THIS DRAWING IS A CONTROLLED DOCUMENT.		DWN M. SUGAWARA 10JAN07	 TE Connectivity 040 SERIES TAB CONTACT		
DIMENSIONS: 単位: 純 mm		CHK K. BETSUI 10JAN07			
TOLERANCE UNLESS OTHERWISE SPECIFIED. 一般公差		APVD K. BETSUI 10JAN07	NAME 名称		
0 ~ \times 10 : ±0.2 10 ~ \times 30 : ±0.25 30 ~ \times 100 : ±0.3 ANGLE : ±3°		PRODUCT SPEC 製品規格	DRAWING NO 番号		
MATERIAL 材料 BRASS THICKNESS 黄銅、板厚: 0.25		APPLICATION SPEC 取付適用規格 14-5108	SIZE A3	CAGE CODE 00779	RESTRICTED TO —
FINISH 仕上 PRE-TINNED 錫めっき済		WEIGHT 0.22g	DRAWING NO 番号 C=173682		
		CUSTOMER DRAWING	SCALE 尺度 5:1	SHEET 1 of 1	REV C3