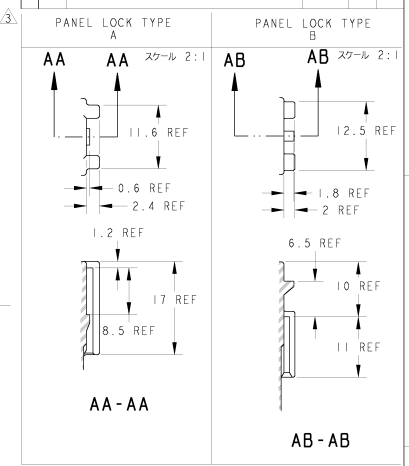
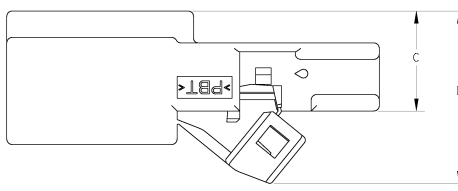
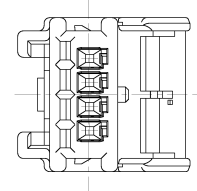
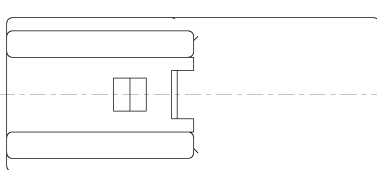
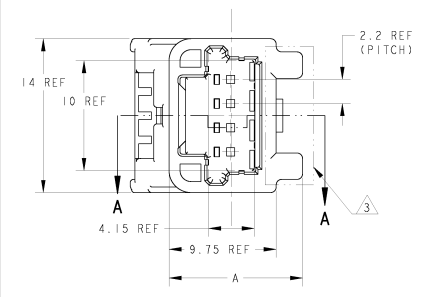
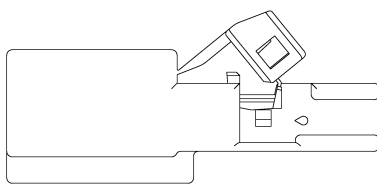
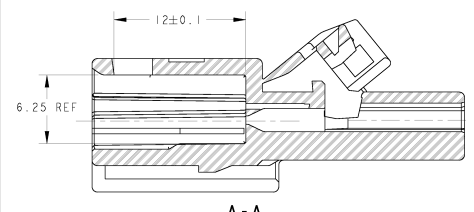
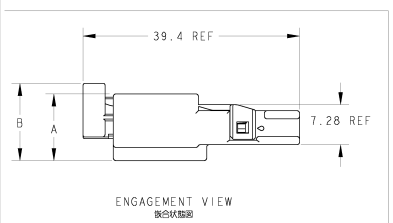


REV. NO.	DATE	BY	CHK	APP'D
1	02APR2011	RK	HMR	



PART NO.	DIMENSION A 寸法 A	DIMENSION B 寸法 B	DIMENSION C 寸法 C	DIMENSION D 寸法 D
1612035-1	12.15 REF	14.05 REF	9.1 REF	15.7 REF
1612035-2	11.75 REF	13.65 REF	8.7 REF	15.3 REF

1. 適合相手品番: 1473672-1
  2. 適用端子及び適用線種は TABLE-1 参照
  3. 本図は、2種類のパネルロックの図表がある
  4. 取扱説明書 NO.411-78050
1. PART NUMBER OF PLUG HOUSING: 1473672-1
  2. APPLICABLE TERMINAL AND WIRE RANGE; REFER TO TABLE-1
  3. PANEL LOCK VARIATIONS
  4. INSTRUCTION SHEET NO.411-78050



TERMINAL	FINISH	APPLICABLE WIRE RANGE
1674742-1	TIN	AVSS/AVSSH-f CAVS/CAVUS 0.3~0.5mm <sup>φ</sup>

PAPER BOX	PLASTIC BAG	NATURAL	B	1612035-2
ダンボール箱	ビニール袋	NATURAL <td>A <td>1612035-1</td> </td>	A <td>1612035-1</td>	1612035-1
OUTER 外装	INNER 内装	COLOR 色	PANEL LOCK TYPE パネルロック	PART NUMBER 部番

THIS DRAWING IS A CONTROLLED DOCUMENT. DWG. N. YASUDA 290CT02  
 CDR. T. KOHNO 290CT02  
 APP'D. N. SAI 290CT02

TO DIMENSIONS UNLESS OTHERWISE SPECIFIED  
 寸法は、図面に明示されていない限り、公差は、±0.3

0-P/C ±0.3  
 1-P/C ±0.5  
 2-P/C ±0.15  
 3-P/C ±0.015  
 4-P/C ±0.001

APPROX. SPEC. 108-5787  
 APPLICATION SPEC. 114-5340

WEIGHT 3.1 g

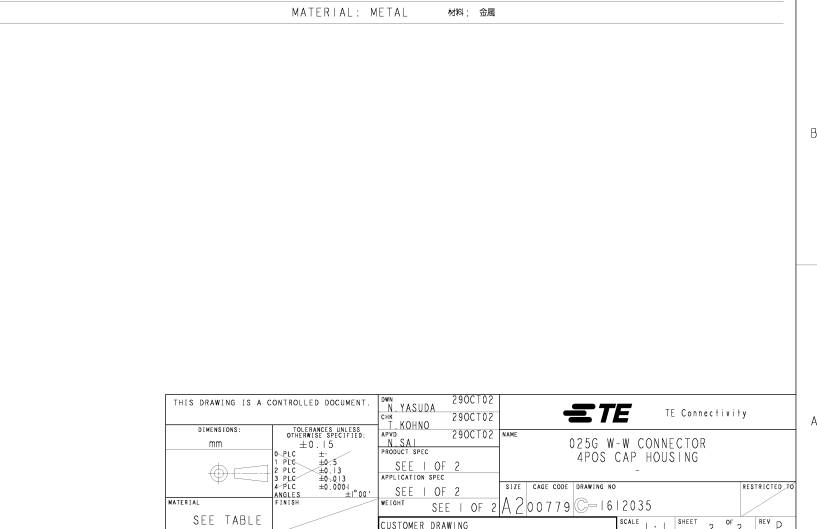
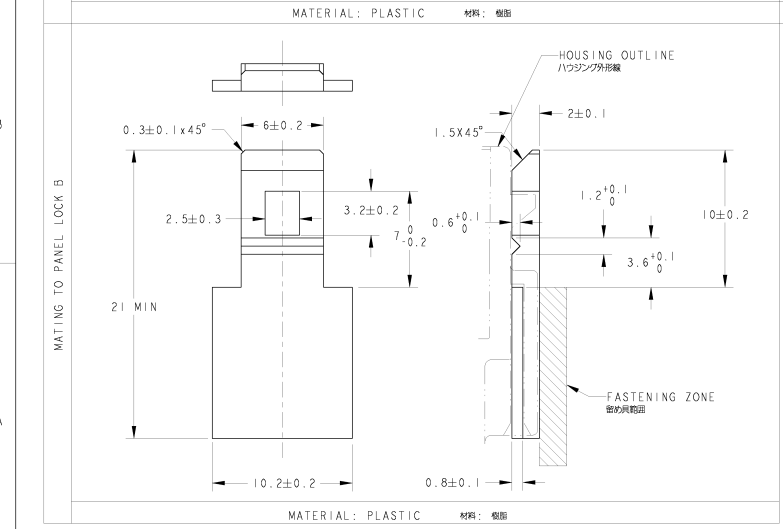
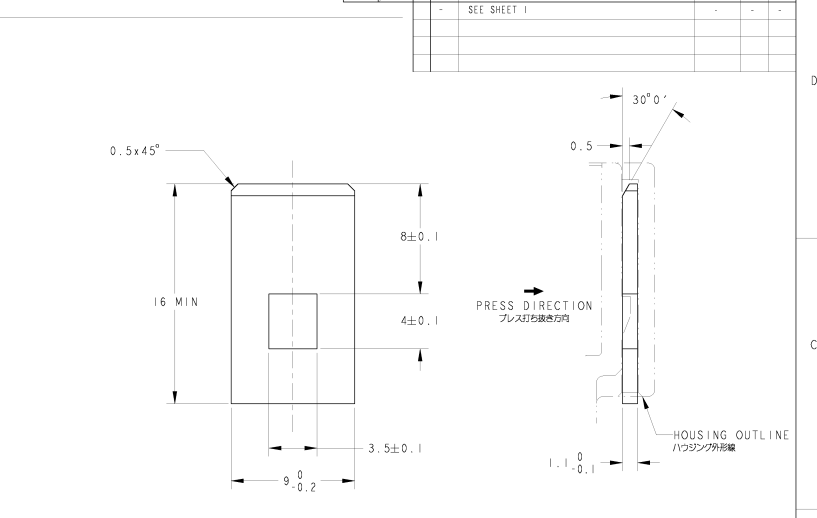
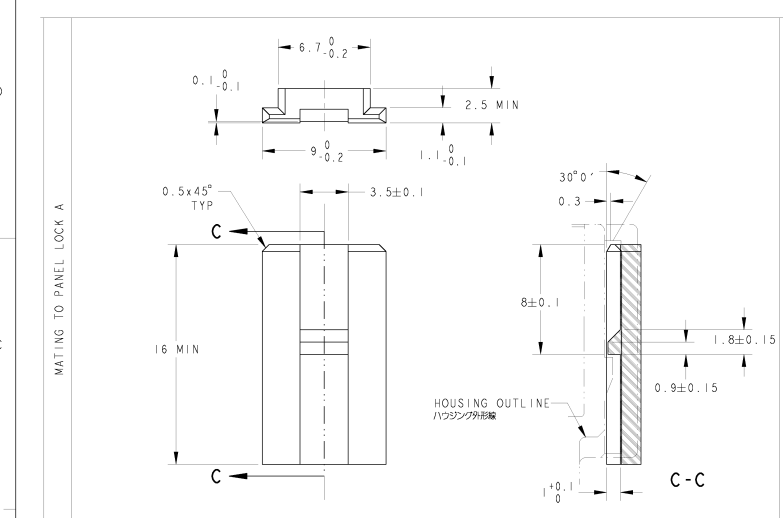
MATERIAL PBT SEE TABLE

CUSTOMER DRAWING

SIZE CASE CODE DRAWING NO. 025G W-W CONNECTOR 4POS CAP HOUSING  
 A200779 1612035

RESTRICTED TO

SCALE 4:1 SHEET 1 OF 2 REV P



REV	DATE	BY	CHKD	APVD
1				

THIS DRAWING IS A CONTROLLED DOCUMENT.		OWN: N. YASUDA	290CT02	TE Connectivity
DIMENSIONS: mm		CHK: T. KOHNO	290CT02	
TOLERANCES UNLESS OTHERWISE SPECIFIED: ±0.15		APP: A. SAI	290CT02	NAME: 025G W-W CONNECTOR 4POS CAP HOUSING
0-PLC ±0.15		PRODUCT SPEC: SEE 1 OF 2		RESTRICTED TO
1-PLC ±0.5		APPLICATION SPEC: SEE 1 OF 2		
2-PLC ±0.13		WEIGHT: SEE 1 OF 2		SIZE: A200779
3-PLC ±0.13		CUSTOMER DRAWING		DRAWING NO: 1612035
4-PLC ±0.050		SCALE: 1:1		SHEET: 2 OF 2
ANGLES: ±1°00'				REV: P
FINISH:				