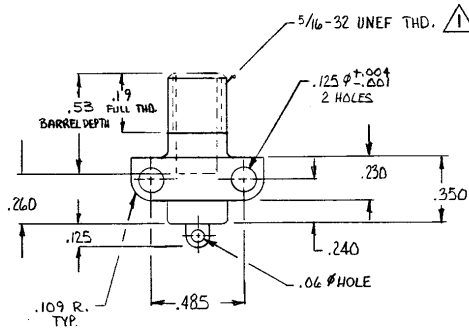
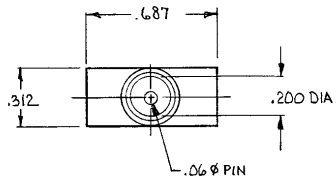


DRAWING MADE IN THIRD ANGLE PROJECTION

© COPYRIGHT 1980 BY AMP INCORPORATED, HARRISBURG, PA. ALL INTERNATIONAL RIGHTS RESERVED. AMP INCORPORATED PRODUCTS COVERED BY U. S. AND FOREIGN PATENTS AND/OR PATENTS PENDING.

REVISIONS						
P	F	ZONE	LTR	DESCRIPTION	DATE	APPROVED
			0	SK-01481-2		
✓		A		REV PER ECN S-3960	4/16/87	RS



△ PER FEDERAL STANDARD H-28 3 WIRE METHOD. DIMENSION OVER WIRES TO BE: .307-.318

866803-1 AS SHOWN

QTY REQD	FINAL ASSY	NEXT ASSY	USED ON	APPLICATION

UNLESS OTHERWISE SPECIFIED DIMENSIONS ARE IN INCHES. TOLERANCES: .00 ±.03 .000 ±.010 ANGLES ±		CONTRACT NO
MATERIAL	FINISH	DR <i>9/3/80</i>
		CHK
		APPD <i>9/3/80</i>
		DESIGN APPD
		OTHER APPD

PART NO		
AMP INCORPORATED Elizabethtown, Pa.		
NAME	(RECEPTACLE WITH MOUNTING HOLES) LGH	
SIZE	CODE IDENT NO	DRAWING NO
B	00779	866803
SCALE	SHEET 1 OF 1	

AMP 1470-14 REV 10-73

CUSTOMER DRAWING