

4

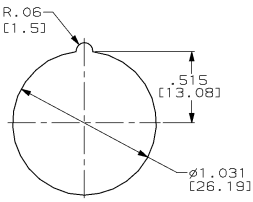
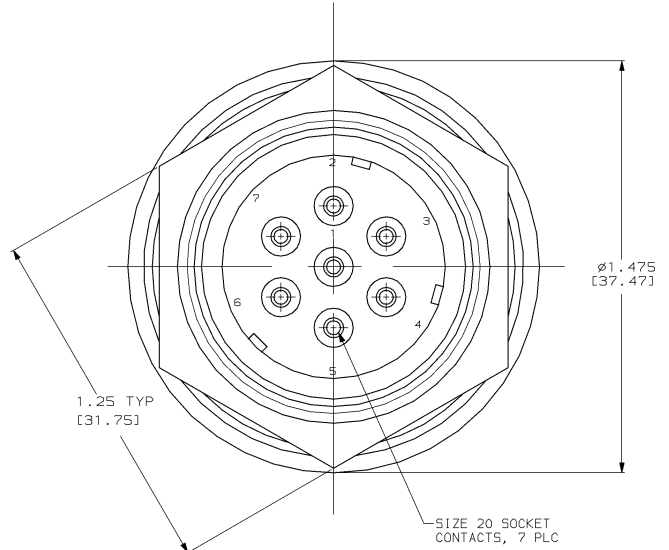
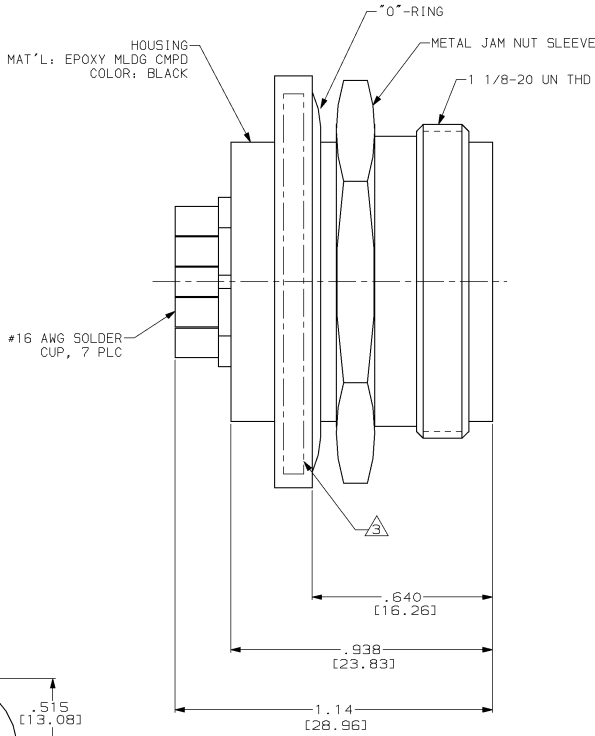
3

2

1

THIS DRAWING IS UNPUBLISHED. RELEASED FOR PUBLICATION
 BY AMP INCORPORATED. ALL RIGHTS RESERVED.

LOC	QTY	REV	DATE	BY	APP'D
DF	SO	A	7-96	CT	SG



RECOMMENDED PANEL CUTOUT
 SCALE 2:1

- 1. MAX PANEL THICKNESS: .125 [3.18].
- 2. THIS RECEPTACLE IS HERMETICALLY SEALED.
- 3. MARKED PER MIL-STD-130.

866182-1
 PART NO.

THIS DRAWING IS A CONTROLLED DOCUMENT.		DN C. C. THOMAS 7-29-96	AMP Incorporated Harrisburg, PA 17105-3608
DIMENSIONS INCHES (mm)		CK S. SLATER/ELTER 8-13-96	AMP
TOLERANCES UNLESS SPECIFIED		APP'D S. SLATER/ELTER 8-13-96	NAME
Ø PLC	±.005	PRODUCT SPEC	
Ø PLC	±.01 [0.31]	APPLICATION SPEC	
Ø PLC	±.010 [0.25]	WEIGHT	
Ø PLC	±.005	HEIGHT	
ANGLES	±.005	SIZE	A2
SEE CALLOUTS	SEE CALLOUTS	CAGE CODE	00779
CUSTOMER DRAWING		DRAWING NO	866182
		SCALE	4:1
		SHEET	1 OF 1
		REV	A