

4

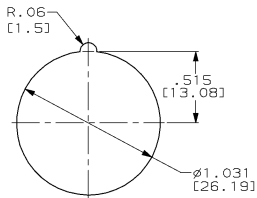
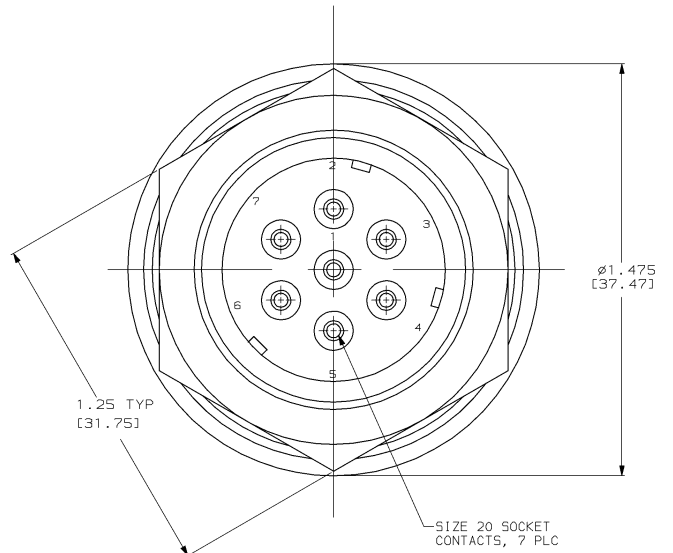
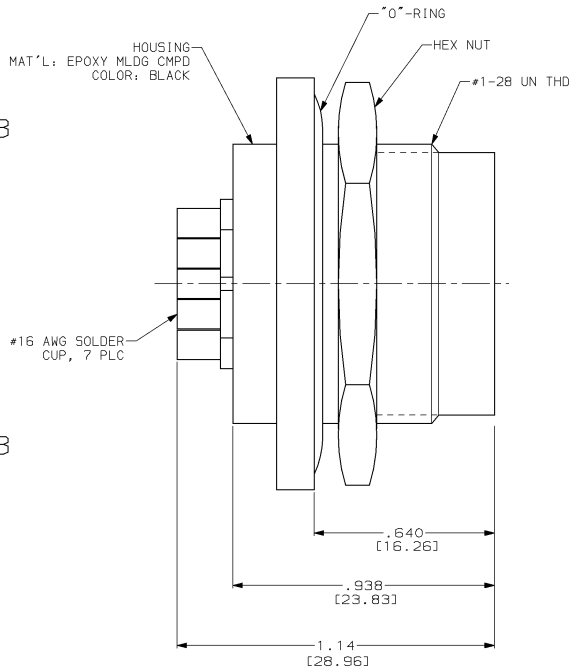
3

2

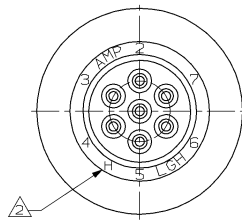
1

THIS DRAWING IS UNPUBLISHED. RELEASED FOR PUBLICATION
 © COPYRIGHT 19 BY AMP INCORPORATED. ALL RIGHTS RESERVED.

LOC		DIST		REVISIONS			
DF	SO	F	LWR	DESCRIPTION	DATE	OWN	APPD
		B		REDRAWN PER 0600-6253-97	CT	7-97	CT SG



RECOMMENDED PANEL CUTOUT
 SCALE 2:1
 MAX PANEL THICKNESS: .125 [3.18]



1. MARKED PER MIL-STD-130.
 HERMETIC SEAL IDENTIFICATION CODE.

862794-1
 PART NUMBER

THIS DRAWING IS A CONTROLLED DOCUMENT.		DN C. C. THOMAS 7-18-97	AMP Incorporated Harrisburg, PA 17105-3608	
DIMENSIONS: INCHES (mm)		CHK S. SLATER/ELTER 9-4-97	AMP Incorporated Harrisburg, PA 17105-3608	
TOLERANCES UNLESS SPECIFIED:		APPD S. SLATER/ELTER 9-4-97	NAME 7 PIN MINIATURE RCPT KIT, LGH HERMETICALLY SEALED	
Ø PLC	±.001	PRODUCT SPEC	SIZE	SCALE CODE
Ø PLC	±.001 (0.31)	APPLICATION SPEC	A2	00779
Ø PLC	±.010 (0.25)	WEIGHT	DRIVING NO	862794
Ø PLC	±.010 (0.25)		SCALE	4:1
Ø PLC	±.010 (0.25)		SHEET	1 OF 1
ANGLES	±.5°		REV	B
SEE CALLOUTS	SEE CALLOUTS	CUSTOMER DRAWING		

862794
 B

A