

4

3

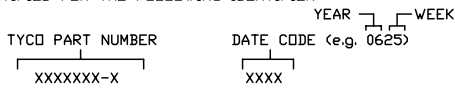
2

1

This drawing involves proprietary design rights of Tyco Electronics Corporation and all design, manufacture, reproduction, use and sale rights pertaining thereto are expressly reserved. It is submitted for a specific purpose and the recipient by accepting this drawing, assumes liability and control and agrees to take reasonable precautions (a) that this drawing will not be copied and reproduced in whole or in part, or its contents revealed in any manner, or to any person except to meet the purpose for which it was delivered and (b) that any special features peculiar to this design will not be incorporated in other projects without the expressed written permission of Tyco Electronics Corporation.

REVISIONS			
EC	REV	DESCRIPTION	DATE
CPR	A	NEW RELEASE, PREVIOUSLY CUD 299-313	03/30/06

- 8. REFERENCE ELCDN PART NUMBER 261-0007-01100.
- 7. SEE DRAWING C-1648168 FOR MATING SOCKET CONNECTOR.
- 6. ITEMS PROVIDED TO THIS SPECIFICATION TO BE PERMANENTLY IDENTIFIED PER THE FOLLOWING IDENTIFIER:



- 5. ALL DIMENSIONS SHOWN ACROSS A CENTERLINE (C) SHALL BE CENTRALIZED WITHIN THE TOLERANCE INDICATED FOR THAT DIMENSION.
- 4. A REFERENCE DIMENSION (.XXX) IS WITHOUT TOLERANCE AND USED FOR INFORMATION PURPOSE ONLY.

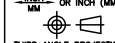


- 3. RECOMMENDED MOUNTING HARDWARE: TO BE ORDERED SEPARATELY.
  - FOR PANEL MOUNTING, USE
    - 1650402-1: SHOULDER SCREW, #8-32
    - 1650106-1: SHOULDER SCREW, #6-32
    - 1650589-1: SHOULDER SCREW, M4X0.7
  - FOR PCB MOUNTING, USE COMMERCIALY AVAILABLE SCREW AND WASHER (IF REQUIRED).

- 2. MATERIALS:
  - HOUSING: THERMOPLASTIC, GLASS REINFORCED, COLOR-BLACK  
UL94V-0 FLAMMABILITY RATED.
  - RETENTION CLIP: COPPER ALLOY OR STAINLESS STEEL

- 1. PART NUMBER CHANGES AND OR DESIGN CHANGES AFFECTING ITEM INTERCHANGEABILITY REQUIRE PRIOR TYCO APPROVAL AND AUTHORIZATION BY REVISION TO THIS DRAWING.

NOTES: UNLESS OTHERWISE SPECIFIED

1648163-1	AS SHOWN
PART NUMBER	DESCRIPTION

 THIRD ANGLE PROJECTION UNLESS OTHERWISE SPECIFIED DIMENSIONS ARE IN INCHES (METRIC) TOLERANCES ANGLES ± .5° DECIMALS .XXX ± .010 (.25) .XX ± .02 (.3)	DRAWN HA NGUYEN	DATE 03/30/06	 Tyco Electronics Corporation Menlo Park, Ca 94025 	
	CHECKED			TITLE CONNECTOR, PIN HOUSING 4X#8, 24X#20, 9X#12, PCB MOUNT 75AMP MIDDLE DRAWER
	APPROVED		SIZE DWG NUMBER B C-1648163	REV. A
	APPROVED STEVE FLICKINGER	03/30/06	ACAD FILE NUMBER C1648163A.DWG	DWG SCALE 1=1 SH 1 OF 3

4

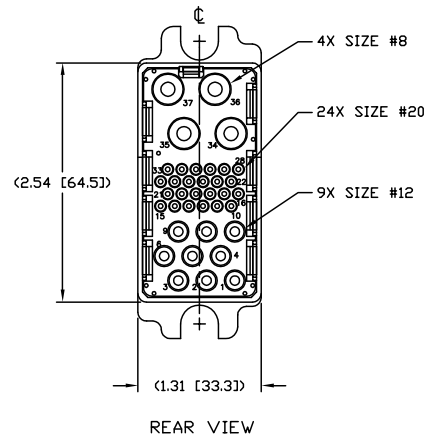
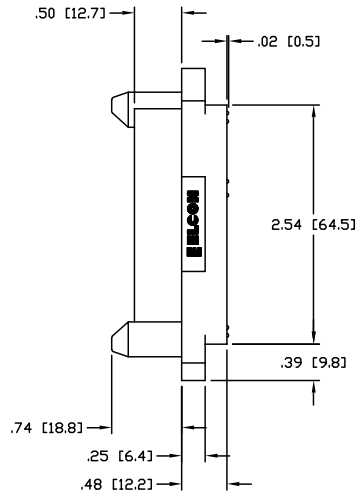
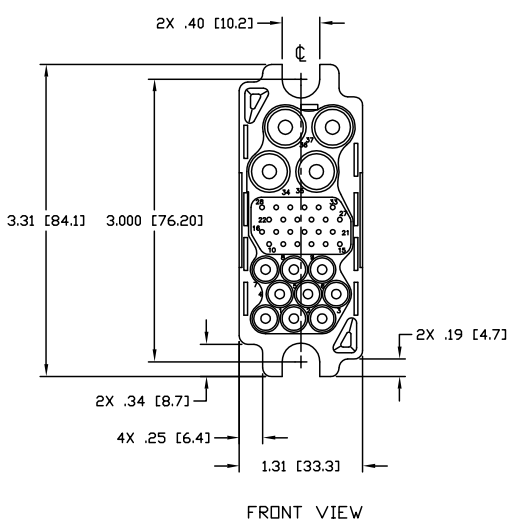
3

2

1

This drawing involves proprietary design rights of Tyco Electronics Corporation and all design, manufacture, reproduction, use and sale rights remaining the same are expressly reserved. It is submitted for a specific purpose and the recipient by accepting this drawing, assumes liability and control and agrees to take reasonable precautions (a) that this drawing will not be copied and reproduced in whole or in part, or its contents revealed in any manner, or to any person except to meet the purpose for which it was delivered and (b) that any special features peculiar to this design will not be incorporated in other projects without the expressed written permission of Tyco Electronics Corporation.

REVISIONS			
EC	REV	DESCRIPTION	DATE
		SEE SHEET 1	



FRONT VIEW

REAR VIEW

INCH OR INCH (MM)  THIRD ANGLE PROJECTION UNLESS OTHERWISE SPECIFIED DIMENSIONS ARE IN INCHES (METRIC) TOLERANCES ANGLES ± .5° DECIMALS .XXX ± .010 (.25) .XX ± .02 (.5)	DRAWN	DATE	Tyco Electronics Corporation Merito Park, Ca 94025		
	HA NGUYEN	03/30/06			
	CHECKED		TITLE		
	APPROVED		CONNECTOR, PIN HOUSING 4X#8, 24X#20, 9X#12, PCB MOUNT 75AMP MIDDLE DRAWER		
	APPROVED	STEVE FLICKINGER	03/30/06	SIZE DWG NUMBER	REV.
	DCA APPROVED	HA NGUYEN	03/30/06	B C-1648163	A
	ACAD FILE NUMBER	C1648163A.DWG		DWG SCALE	1=1 SH 2 OF 3

4

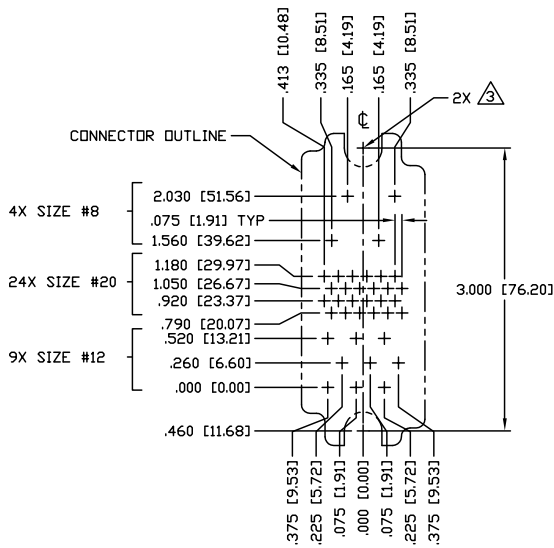
3

2

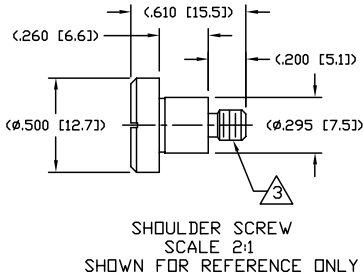
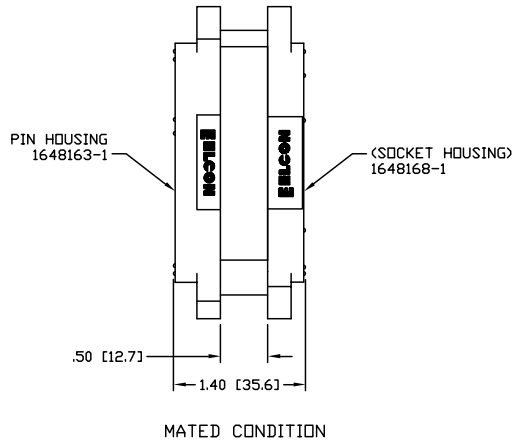
1

This drawing involves proprietary design rights of Tyco Electronics Corporation and all design, manufacturing, reproduction, use and sale rights pertaining thereto are expressly reserved. It is submitted for a specific purpose and the recipient by accepting this drawing, assumes liability and control and agrees to take reasonable precautions to ensure that this drawing will not be copied and reproduced in whole or in part, or its contents revealed in any manner, or to any person except to meet the purpose for which it was delivered and (b) that any special features peculiar to this design will not be incorporated in other projects without the expressed written permission of Tyco Electronics Corporation.

REVISIONS			
EC	REV	DESCRIPTION	DATE
		SEE SHEET 1	



RECOMMENDED CONTACT LAYOUT  
AS VIEWED FROM CONNECTOR MOUNTING SIDE  
(FRONT VIEW)



<small>INCH OR INCH (MM)</small> 	DRAWN	DATE	Tyco Electronics Corporation Merita Park, Ca 94025	
	HA NGUYEN	03/30/06	TITLE USER INFORMATION RECOMMENDED CONTACT LAYOUT AND MATED CONDITION	
THIRD ANGLE PROJECTION	CHECKED		APPROVED	
UNLESS OTHERWISE SPECIFIED DIMENSIONS ARE IN INCHES (METRIC)			APPROVED	
TOLERANCES			STEVE FLICKINGER	03/30/06
ANGLES $\pm$ .5°			DCA APPROVED	
DECIMALS			HA NGUYEN	03/30/06
.XXX $\pm$ .010 (.25)			ACAD FILE NUMBER	C1648163A.DWG
.XX $\pm$ .02 (.5)			SIZE	DWG NUMBER
			B	C-1648163
			DWG SCALE	1=1
			REV.	A
			SH	3 OF 3

4

3

2

1