

4

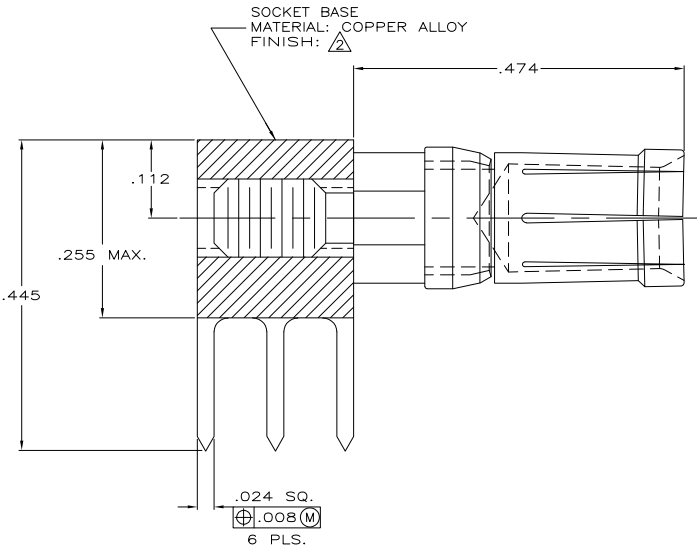
3

2

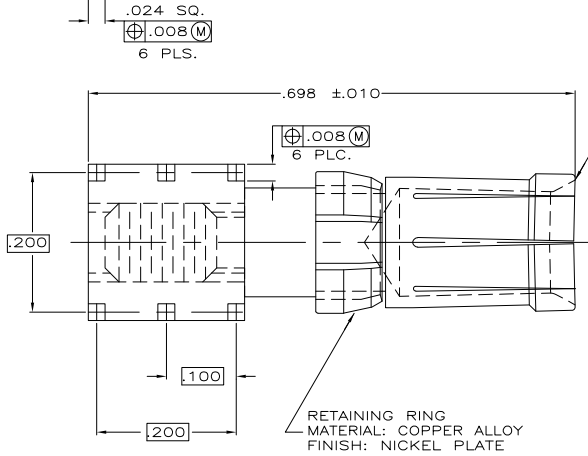
1

THIS DRAWING IS UNPUBLISHED. RELEASED FOR PUBLICATION
 BY TYCO ELECTRONICS CORPORATION. ALL RIGHTS RESERVED.

LOC	DIST	REVISIONS		
P	LTR	DESCRIPTION	DATE	MIN
AD	25			APD
		O	RELEASED PER EC 0512-0634-04	JDP/AMS
			190EC05	



- Δ SOCKET CONTACT FINISH : GOLD PLATE OVER NICKEL UNDERPLATE.
- Δ SOCKET BASE FINISH : TIN PLATE OVER NICKEL UNDERPLATE.



5532823-2
 PART NUMBER

THIS DRAWING IS A CONTROLLED DOCUMENT.		DIM J. POLIGNONE 190EC05 CHK A. SHARPE 190EC05 APP A. SHARPE 190EC05 PRODUCT SPEC APPLICATION SPEC WEIGHT CUSTOMER DRAWING	Tyco Electronics Tyco Electronics Corporation Harrisburg, PA 17105-3608	CONTACT, RECEPTACLE, RIGHT ANGLE, HDI, POWER, SOLDER	RESTRICTED TO —
DIMENSIONS: INCHES $\oplus .008 (M)$ FINISH: Δ	TOLERANCES UNLESS OTHERWISE SPECIFIED: 0 PLC ± .005 1 PLC ± .005 2 PLC ± .005 3 PLC ± .005 4 PLC ± .005 ANGLES ± .5°	SIZE CASE CODE DRAWING NO. A2 00779 C-5532823	SCALE 10:1 SHEET 1 of 1 REV 0		

AMP 1471-9 REV 31MM2000

5532823

A