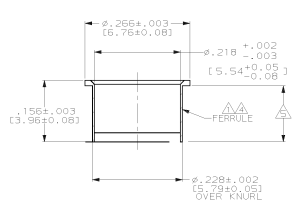
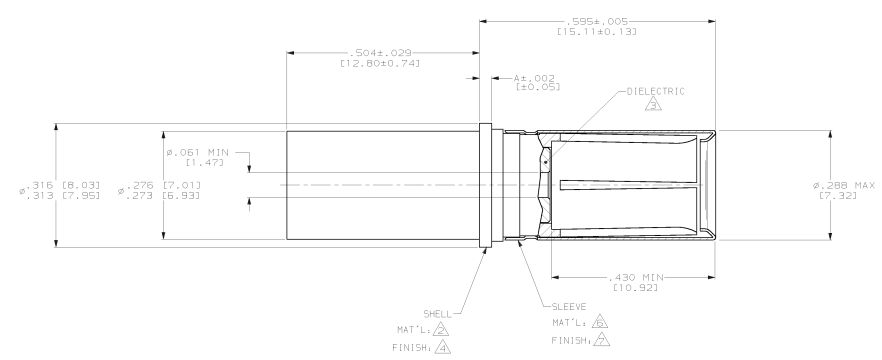
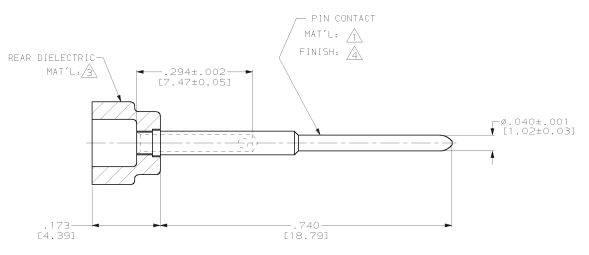


REV	DESCRIPTION	DATE
00	ORIGINAL	

REV	DESCRIPTION	DATE	BY	CHK	APP
0	PROPOSAL DRAWING	8-90	CT	RG	

- △ MAT'L: BRASS PER ASTM-B-16
- △ MAT'L: BERYLLIUM COPPER PER ASTM-B-196.
- △ MAT'L: PTFE PER ASTM-D-1710.
- △ FINISH: GOLD PLATE PER MIL-D-15204, TYPE 1, GRADE C, CLASS 1 OVER NICKEL .000050 TO .00131 THK PER QQ-N-290, CLASS 2.
- △ 160 DP, FULL DIAMOND KNURL OVER THIS LENGTH.
- △ MAT'L: STAINLESS STEEL PER QQ-5-766.
- △ FINISH: PASSIVATE PER QQ-P-35.



USED IN HIRF 120T2 INSERT	RG 55/58	TBD	1218822-2
	RG 55/58	.031 (0.79)	1218822-1
REMARKS	CABLE	DIM A	PART NUMBER
THIS DRAWING IS A CONTROLLED DOCUMENT. INCHES (MM)      INTERPRETATION      DATE      BY      CHECKED      DATE      BY      APPROVED      DATE      BY      REVISIONS			
<b>AMP Incorporated</b> Haverhill, MA 01830-3608			
<b>COAX SOCKET CONTACT ASSY</b> <b>REAR RELEASE, SIZE B</b>			
SEE CALLOUTS	SEE CALLOUTS	CUSTOMER DRAWING	1218822-2 A   00778   1218822