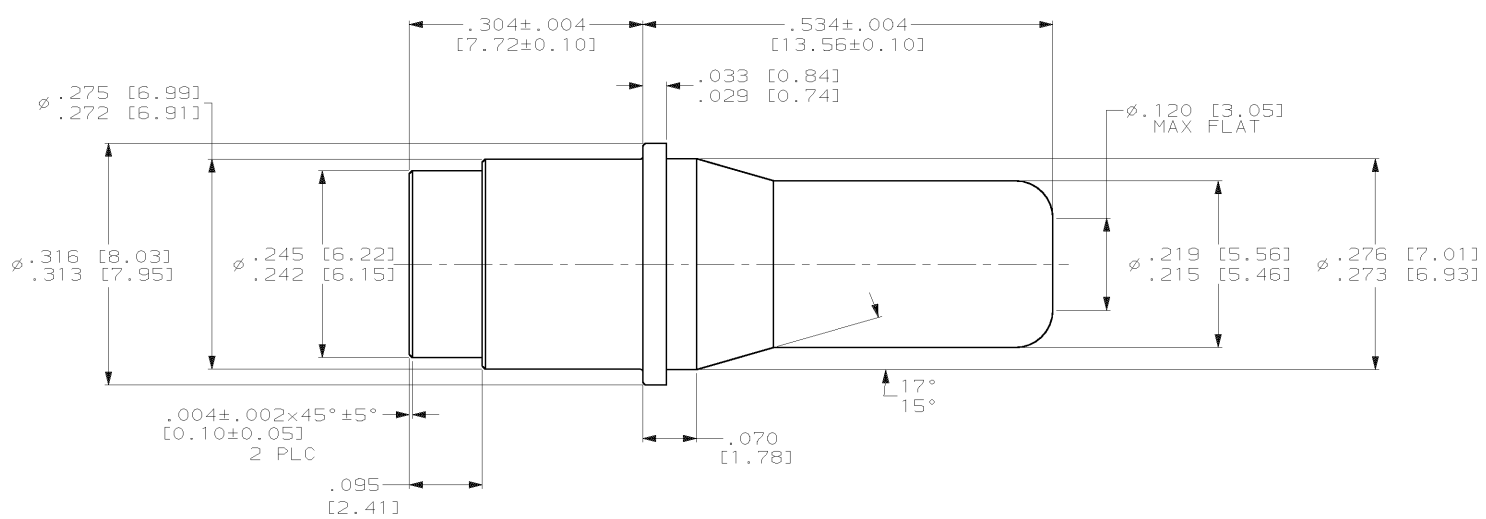


DRAWING MADE IN THIRD ANGLE PROJECTION

THIS DRAWING IS UNPUBLISHED. RELEASED FOR PUBLICATION, 19
 © COPYRIGHT 19 BY AMP INCORPORATED. ALL INTERNATIONAL RIGHTS RESERVED.

PROJ CODE	LOC	DIST	P	F	ZONE	LTR	REVISIONS	DESCRIPTION	DATE	APPD	
3460	DF	X0					0	RELEASED PER NPR 93-303	CT	7-93	CS



THIS DWG IS NOT RELEASED 7-15-93

448547-2
 PART NO.

- 1 MAT'L: ALUMINUM PER QQ-A-225/6.
- 2 FINISH: NICKEL PLATE PER MIL-C-26074, CLASS 1.

DO NOT SCALE PRINT. UNLESS SPECIFIED DIMENSIONS IN INCHES (mm)		DR 7-13-93 C.C. THOMAS		AMP Incorporated Harrisburg, PA 17105-3608	
TOLERANCES ON: 2. PLC DEC ± 3. PLC DEC ± .005 (0.13) ANGLES ±		CHK 7-14-93 C. SHELLY			
MATERIAL		APPD 7-14-93 C. SHELLY		NAME PLUG, FILLER, CONDUCTIVE FRONT RELEASE, ARINC-TRIAK	
FINISH		RLSE - C. THOMAS		SIZE B 00779	
		PRODUCT SPEC -		CAGE CODE 448547	
		APPLICATION SPEC -		DRAWING NO 448547	
		WEIGHT -		SCALE 8:1	
				SHEET 1 OF 1	

AMP 1470-15 REV 11-89
 13 JUL 1993 14:35:48 AMP16412 4051268-REP16021-ILABINC-TRIAK

CUSTOMER DRAWING