

4

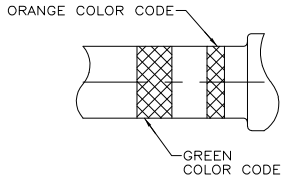
3

2

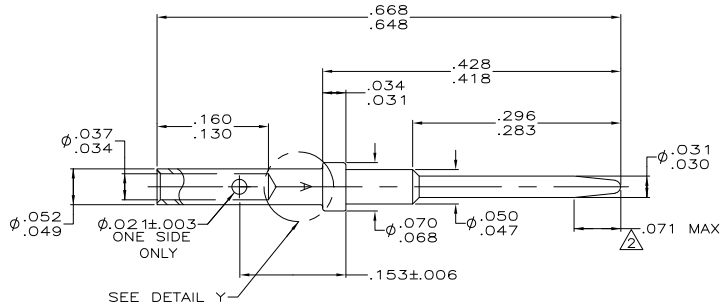
1

THIS DRAWING IS UNPUBLISHED. RELEASED FOR PUBLICATION
 © COPYRIGHT BY TYCO ELECTRONICS CORPORATION. ALL RIGHTS RESERVED.

LOC	DIST	REVISIONS					
DF	AO	P	LTR	DESCRIPTION	DATE	MIN	APD
		H		REV PER EC 0414-0154-04	23JAN06	TK	CT



DETAIL Y
 SCALE 20:1
 (208262-3 ONLY)



- △ FINISH: PLATED .000050 MIN THK GOLD PER MIL-G-45204 OVER .000050 MIN THK NICKEL PER QQ-N-290.
- △ POINT OF ELECTRICAL ENGAGEMENT.

COLOR CODED	208262-3
AS SHOWN	208262-2
DESCRIPTION	PART NUMBER

THIS DRAWING IS A CONTROLLED DOCUMENT.		DR C. C. THOMAS 10/24/00	Tyco Electronics Corporation Harrisburg, PA 17105-3608
DIMENSIONS: INCHES		OK S. GLATFELTER 10/24/00	
DIMENSIONS: INCHES 0 PLC ± .005 1 PLC ± .005 2 PLC ± .005 3 PLC ± .005 4 PLC ± .005 ANGLES ± .5°		DR S. GLATFELTER 10/24/00 NAME S. GLATFELTER PRODUCT SPEC APPLICATION SPEC HEIGHT	PIN CONTACT, SIZE 22, ARINC 600 SIZE A2 CHG CODE 00779 DRAWING NO C-208262 RESTRICTED TO
MATERIAL: COPPER ALLOY		FINISH: △	CUSTOMER DRAWING SCALE 10:1 SHEET 1 of 1 REV H

AMP 1471-9 REV 31MM2000

24JAN06 1:51pm US071105 H:\dmmmod\208262_1_c.dwg