

DRAWING MADE IN AMERICAN PROJECTION

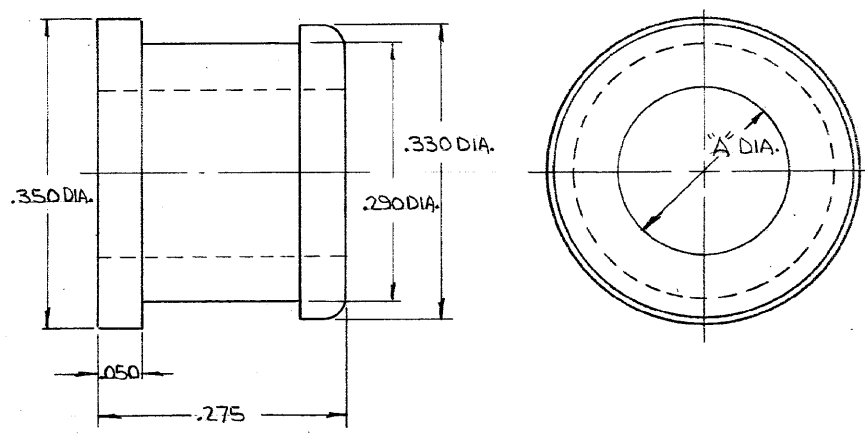
© 1971 BY AMP INCORPORATED. ALL RIGHTS RESERVED. AMP PRODUCTS COVERED BY PATENTS AND/OR PATENTS PENDING.

Unpublished copy not to be reproduced without written permission of AMP Incorporated.

REVISIONS				
ZONE	LTR	DESCRIPTION	DATE	APPROVED
	A	REV PER ECN C-530	9-10-73	SPS
	B	ADDED -3 PER ECN F-102	9/13/77	ANZL/PA
	C	ADDED -4 & -5 PER ECN J-791	10/28/82	TLH
	D	REV PER DF 4728	5-13-91	EJA

- 205402-1 1. AS SHOWN: (A)
- 2. "A" DIM. = .205
- 3. FOR USE WITH RG223 CABLE
- 205402-2 1. SAME AS -1 EXCEPT:
- 2. "A" DIA. = .182 DIA.
- 3. FOR USE WITH RG58C CABLE
- 205402-3 1. SAME AS -1 EXCEPT:
- 2. "A" DIA. = .128 DIA.
- 3. FOR USE WITH .141 SEMI-RIGID CABLE.

- 205402-4 1. SAME AS -1 EXCEPT:
- 2. MATERIAL: FLUROSILICONE RUBBER, BLUE.
- 205402-5 1. SAME AS -2 EXCEPT:
- 2. MATERIAL: FLUROSILICONE RUBBER, BLUE.



LOC
PRINT DIST
DF/AG

UNLESS OTHERWISE SPECIFIED DIMENSIONS ARE IN INCHES TOLERANCES ON: DECIMALS = .010 ANGLES = .5°	CONTRACT NO.	AMP AMP INCORPORATED HARRISBURG, PENNSYLVANIA	
	DR. DATE: 8/20/71		
MATERIAL: SILICONE RUBBER, RED	DESIGN APPD.	SIZE: B	CODE IDENT. NO.: 00779
	OTHER APPD.	SCALE:	NUMBER: 205402
			SHEET 1 OF 1

AMP 1470-1 REV (7/68) 4

CUSTOMER DRAWING