

© 1970 BY AMP INCORPORATED. ALL RIGHTS RESERVED. AMP PRODUCTS ARE COVERED BY PATENTS AND/OR PATENTS PENDING.

204938-2 1. SAME AS -1 EXCEPT:
2. PLATED GOLD PER MIL-G-45204 OVER NICKEL PER QQ-N-230

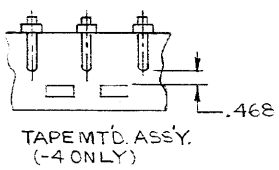
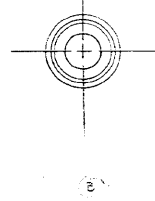
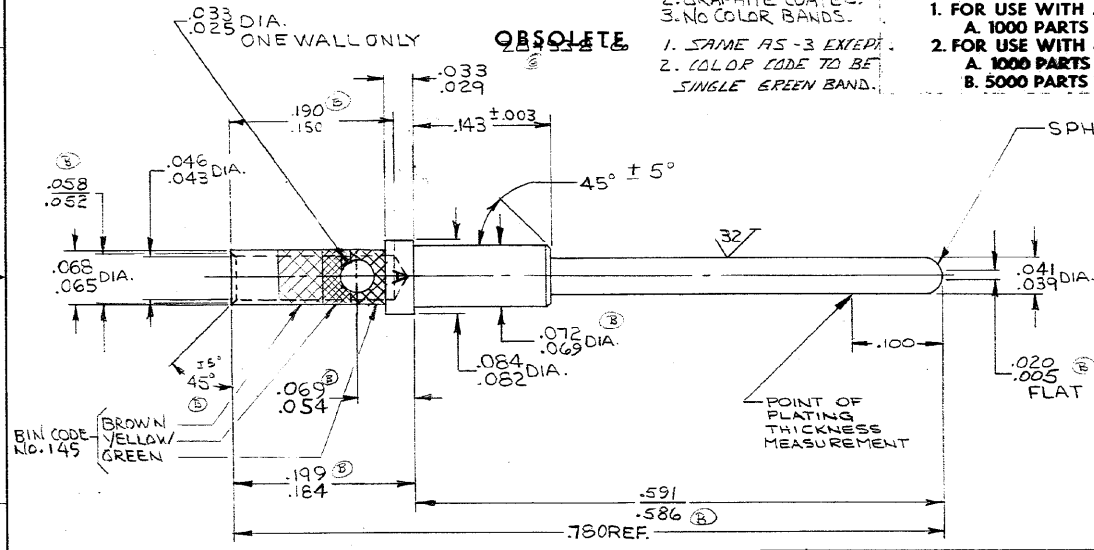
204938-3 1. AS SHOWN
204938-4 1. SAME AS -3 EXCEPT
2. MOUNTED ON MYLAR TAPE

OBsolete
1. SAME AS -3 EXCEPT:
2. GRAPHITE COATED.
3. NO COLOR BANDS.

OBsolete
1. SAME AS -3 EXCEPT:
2. COLOR CODE TO BE SINGLE GREEN BAND.

REVISIONS				
ZONE	LTR	DESCRIPTION	DATE	APPROVED
E		REV PER ECU F-248	8/17/78	JK/111
F		REV/ECN G341	8-15-79	SM
G		ADDED - 2 ECH G-737	2-2-80	AMM
H		REV PER ECU J-782	7-21-82	ten
J		OBsolete - 5 8-6 PER ECU R-2556	12-23-86	MPN 207

WHEN ORDERING CONTACT ON TAPE, ORDER BY THE TAPE NUMBER PLUS THE PACKAGING CODE AS FOLLOWS:
1. FOR USE WITH AMP TAPETRONIC, PNEUMATIC TOOL - A. 1000 PARTS TO A BOX ADD PACKAGING CODE: IMBOX
2. FOR USE WITH 4/8 INDENT STRIPPER CRIMPER - A. 1000 PARTS TO A REEL ADD PACKAGING CODE: 1AREEL B. 5000 PARTS TO A REEL ADD PACKAGING CODE: 5AREEL



UNLESS OTHERWISE SPECIFIED DIMENSIONS ARE IN INCHES
TOLERANCES ON:
DECIMALS ± .005
ANGLES ± 2°

MATERIAL
LEADED COPPER
FINISH: GOLD
PER MIL-G-45204
OVER NICKEL
PER QQ-N-290

CONTRACT NO. 7-20-70
DR. L. Worthington
CHK. J. J. [Signature]
APPD. [Signature] 9-24-70
REV. [Signature] 9-24-70
DESIGN APPD. [Signature] 9-22-70
OTHER APPD.

AMP		AMP INCORPORATED HARRISBURG, PENNSYLVANIA	
NAME SUB 20 CONTACT PIN TYPE XVII - RM			
SIZE	CODE IDENT NO.	NUMBER	
B	00779	204938	
SCALE	10-1	SHEET 1 OF 1	