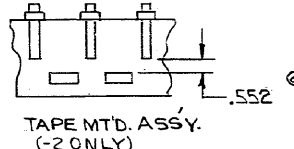
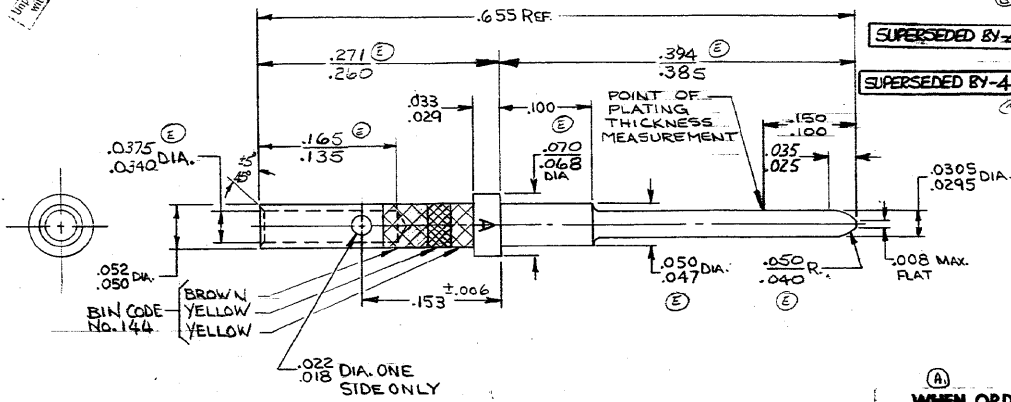


MADE IN AMERICAN PROJECTION

© 1970 BY AMP INCORPORATED. ALL RIGHTS RESERVED. AMP PRODUCTS COVERED BY PATENTS AND/OR PATENTS PENDING.

Unauthorized copying and/or use of this drawing for any purpose without the written permission of AMP Incorporated is prohibited.

204873-2 1. AS SHOWN  
2. PLATED .000050 GOLD PER MIL-G-45204  
OVER NICKEL PER QQ-N-290.  
204873-3 1. SAME AS -4 EXCEPT:  
MOUNTED ON MYLAR TAPE



REVISIONS				
ZONE	LTR	DESCRIPTION	DATE	APPROVED
5		SUPERSEDED -3, -5, -6 WITH -4 / R-2624	6-18-87	MPH E/jt
7		REACTIVATE -3 ECN DF-0716 et	8-88	Tom K.../...

204873-4 1. SAME AS -2 EXCEPT:  
2. COLOR CODED AS INDICATED.  
204873-5 1. SAME AS -2 EXCEPT:  
2. GRAPHITE COATED.  
204873-6 1. SAME AS -2 EXCEPT:  
2. COLOR CODE TO BE SINGLE  
BLACK BAND

(A) WHEN ORDERING CONTACT ON TAPE, ORDER BY THE TAPE NUMBER PLUS THE PACKAGING CODE AS FOLLOWS:  
1. FOR USE WITH AMP TAPETRONIC, PNEUMATIC TOOL -  
A. 1000 PARTS TO A BOX ADD PACKAGING CODE IMBOX  
2. FOR USE WITH 488 INDENT STRIPPER CRUMPER -  
A. 1000 PARTS TO A REEL ADD PACKAGING CODE IMREEL  
B. 5000 PARTS TO A REEL ADD PACKAGING CODE 5MREEL

UNLESS OTHERWISE SPECIFIED DIMENSIONS ARE IN INCHES. TOLERANCES ON: DECIMALS ± .005 ANGLES ± .1	CONTRACT NO.	AMP INCORPORATED HARRISBURG, PENNSYLVANIA	
	DR. <i>E. Manigault</i> 7-17-70	AMP	
MATERIAL	NAME	CONTACT, PIN #22	
LEADED COPPER	SIZE	CODE IDENT NO.	NUMBER
	B	00779	204873
	SCALE	10-1	SHEET 1 OF 1