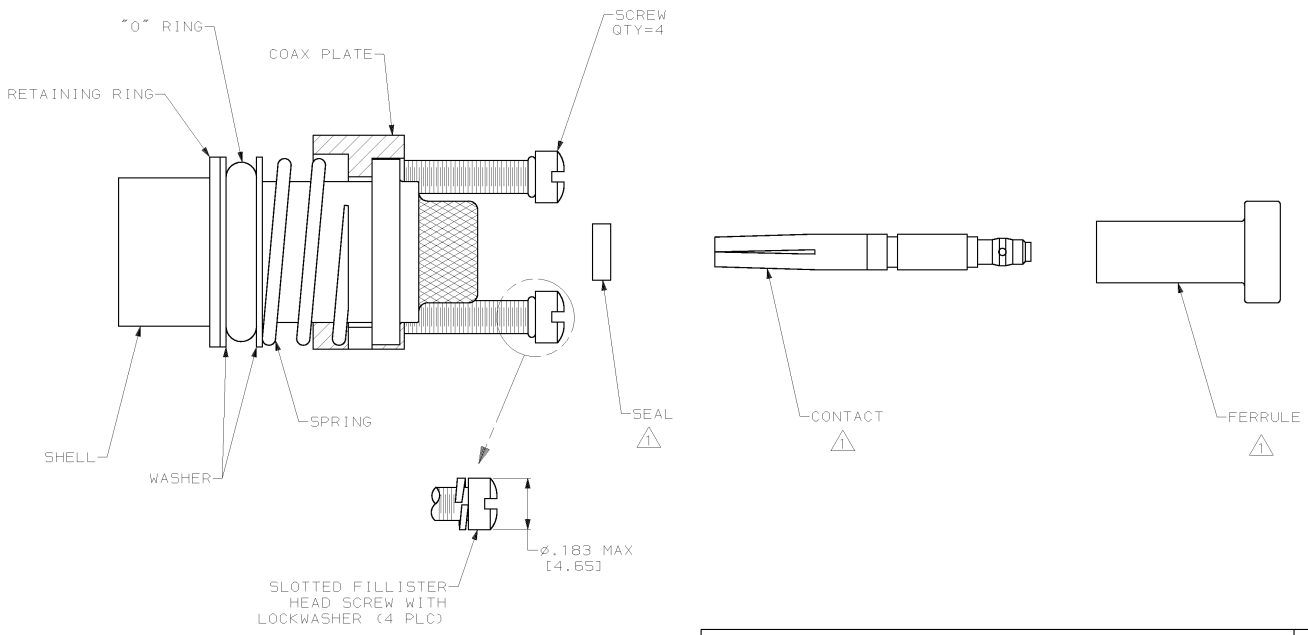


DRAWING MADE IN THIRD ANGLE PROJECTION
 THIS DRAWING IS UNPUBLISHED. RELEASED FOR PUBLICATION 19
 © COPYRIGHT 19 BY AMP INCORPORATED. ALL INTERNATIONAL RIGHTS RESERVED.

| LOC | | DIST | | ZONE | | LTR | | REVISIONS | | DATE | APPD |
|-----|----|------|---|------|--|-----|--|-------------|-------------------------|------|------|
| DF | AO | P | F | | | | | DESCRIPTION | | | CT |
| | | | | | | | | C | ADD -4 PER 063D-0019-99 | 7-99 | CT |

⚠ PARTS PACKAGED UNASSEMBLED



446709-4 ONLY

| SIZE ONE COAX KIT FOR RG 142, 142A OR 142B WITH SPECIAL SCREWS | 446709-4 |
|--|-------------|
| SIZE ONE COAX KIT FOR 393 | 446709-3 |
| SIZE ONE COAX KIT FOR ECS 311201 | 446709-2 |
| SIZE ONE COAX KIT FOR RG 142, 142A OR 142B | 446709-1 |
| DESCRIPTION | PART NUMBER |

| | | |
|--|-----------------------------|---|
| DD NOT SCALE PRINT. UNLESS SPECIFIED DIMENSIONS IN INCHES (mm) | DR M.E.PASTAL 7-25-89 | AMP INCORPORATED Harrisburg, Pa. 17105 |
| TOLERANCES ON : | CHK ROBERT HOSSLER 7-27-89 | |
| 2 PLC DEC ± - | APPD ROBERT HOSSLER 7-27-89 | NAME |
| 3 PLC DEC ± - | APPD ROBERT HOSSLER 7-27-89 | NAME |
| ANGLES ± - | APPD P.FISHER 7-27-89 | NAME |
| MATERIAL - | PRODUCT SPEC - | SIZE #1 COAX SUBASSEMBLY KIT, SOCKET, 71C1, ARINC600 |
| FINISH - | APPLICATION SPEC - | SIZE C CAGE CODE 00779 DRAWING NO. 446709 |
| WEIGHT - | SCALE 4:1 | SHEET 1 of 1 |

CUSTOMER DRAWING

446709

A