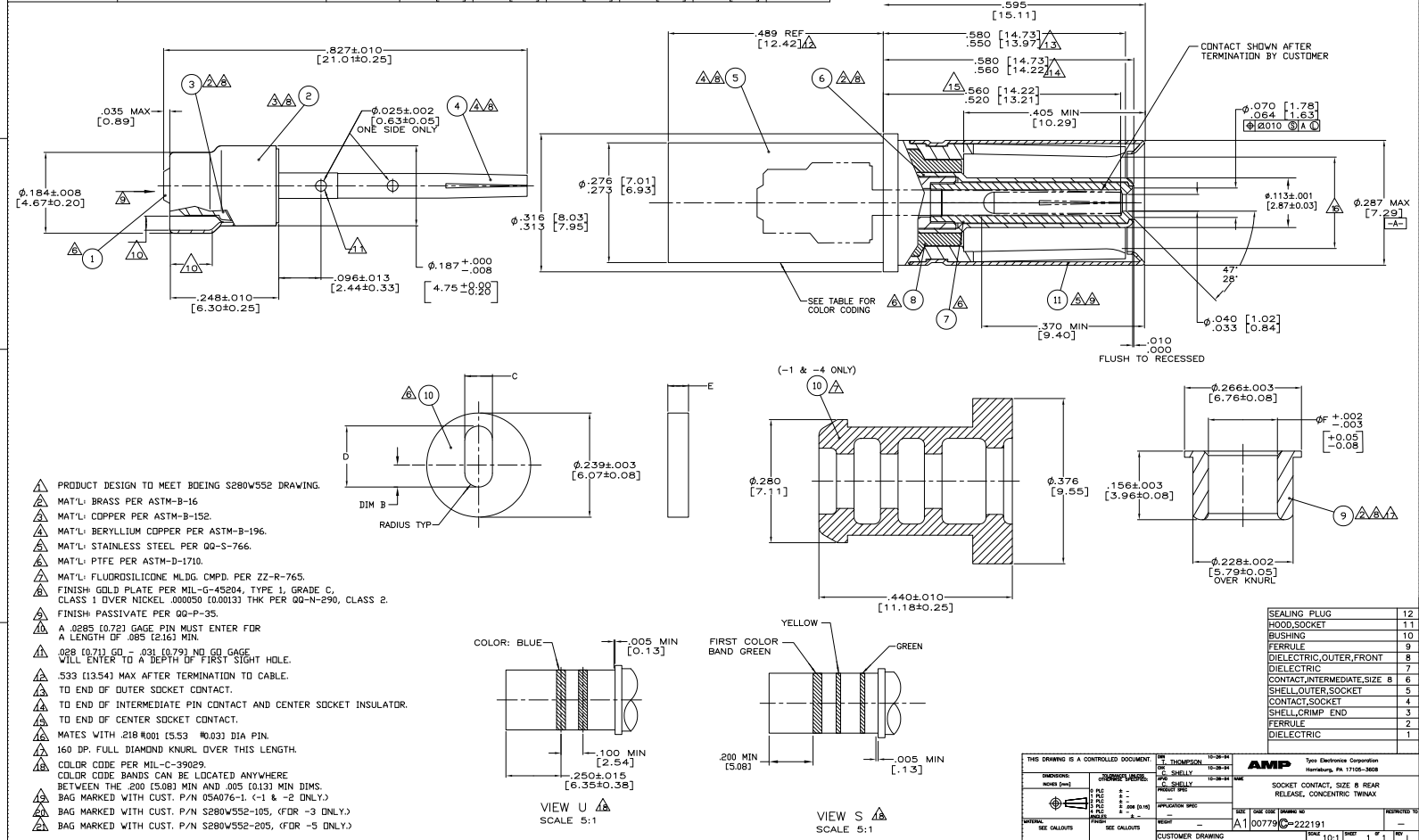


PART NO	CABLE	COLOR CODE	DIM F	DIM B	DIM C	DIM D	DIM E	REMARKS
222191-1	M17-176-00002; NORTHROP 05A078-1	VIEW S	.143 [3.63]	.032 [0.81]	.054 [1.37]	.112 [2.84]	.047 [1.19]	19
222191-2	M17-176-00002; NORTHROP 05A078-1	VIEW S	.143 [3.63]	.032 [0.81]	.054 [1.37]	.112 [2.84]	.047 [1.19]	19
222191-3	TENSOLITE 24463/990255-2(LO) OR TENSOLITE 24463/990112-2(LO) (OBSOLETE)	VIEW U	.157 [3.99]	.050 [1.27]	.063 [1.60]	.140 [3.56]	.052 [1.32]	20
222191-4	M17-176-00002; NORTHROP 05A078-1	VIEW S	.143 [3.63]	.032 [0.81]	.054 [1.37]	.112 [2.84]	.047 [1.19]	19
222191-5	TENSOLITE 24463/990255-2(LO) OR TENSOLITE 24463/990112-2(LO) (OBSOLETE)	VIEW U	.157 [3.99]	.050 [1.27]	.063 [1.60]	.140 [3.56]	.052 [1.32]	21
222191-6	PRELIMINARY NOT RELEASED FOR PRODUCTION							
222191-7	PRELIMINARY NOT RELEASED FOR PRODUCTION							
222191-8	RAYCHEM 18614	VIEW S	.174 [4.42]	.032 [0.81]	.054 [1.37]	.112 [2.84]	.047 [1.19]	

REV	DATE	DESCRIPTION	BY	CHK
1	1-16-07		DF	RG



- ▲ PRODUCT DESIGN TO MEET BOEING S280W552 DRAWING.
- ▲ MAT'L: BRASS PER ASTM-B-16
- ▲ MAT'L: COPPER PER ASTM-B-152.
- ▲ MAT'L: BERYLLIUM COPPER PER ASTM-B-196.
- ▲ MAT'L: STAINLESS STEEL PER QQ-S-766.
- ▲ MAT'L: PTFE PER ASTM-D-1710.
- ▲ MAT'L: FLUOROSILICONE MLDG. CMPD. PER ZZ-R-765.
- ▲ FINISH: GOLD PLATE PER MIL-G-45204, TYPE 1, GRADE C, CLASS 1 OVER NICKEL .00050 [0.0013] THK PER QQ-N-290, CLASS 2.
- ▲ FINISH: PASSIVATE PER QQ-P-35.
- ▲ A .0285 [0.72] GAGE PIN MUST ENTER FOR A LENGTH OF .085 [2.16] MIN.
- ▲ .028 [0.71] GD - .031 [0.79] NO GD GAGE WILL ENTER TO A DEPTH OF FIRST SIGHT HOLE.
- ▲ 533 (1354) MAX AFTER TERMINATION TO CABLE.
- ▲ TO END OF OUTER SOCKET CONTACT.
- ▲ TO END OF INTERMEDIATE PIN CONTACT AND CENTER SOCKET INSULATOR.
- ▲ TO END OF CENTER SOCKET CONTACT.
- ▲ MATES WITH .218 [5.53] DIA PIN.
- ▲ 160 DP. FULL DIAMOND KNURL OVER THIS LENGTH.
- ▲ COLOR CODE PER MIL-C-39059.
- ▲ COLOR CODE BANDS CAN BE LOCATED ANYWHERE BETWEEN THE .200 [5.08] MIN AND .005 [0.13] MIN DIMS.
- ▲ BAG MARKED WITH CUST. P/N 05A076-1. (-1 & -2 ONLY.)
- ▲ BAG MARKED WITH CUST. P/N S280W552-105. (FDR -3 ONLY.)
- ▲ BAG MARKED WITH CUST. P/N S280W552-205. (FDR -5 ONLY.)

COMPONENT	QUANTITY
SEALING PLUG	12
HOOD, SOCKET	11
BUSHING	10
FERRULE	9
DIELECTRIC, OUTER, FRONT	8
DIELECTRIC	7
CONTACT, INTERMEDIATE, SIZE 8	6
SHELL, OUTER, SOCKET	5
CONTACT, SOCKET	4
SHELL, CRIMP END	3
FERRULE	2
DIELECTRIC	1

THIS DRAWING IS A CONTROLLED DOCUMENT		REV. DIMENSION		DATE	
REV. DIMENSION	DATE	REV. DIMENSION	DATE	REV. DIMENSION	DATE
1	1-16-07	1	1-16-07	1	1-16-07
CUSTOMER DRAWING		A1		00779 (C)=222191	