

4

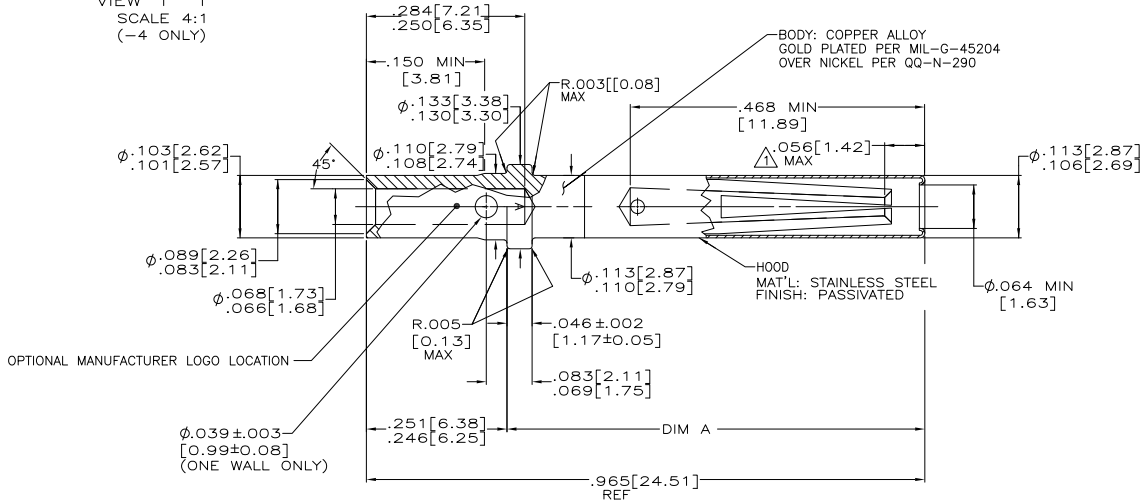
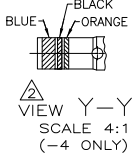
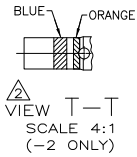
3

2

1

THIS DRAWING IS UNPUBLISHED. RELEASED FOR PUBLICATION  
 © COPYRIGHT BY TYCO ELECTRONICS CORPORATION. ALL RIGHTS RESERVED.

LOC	DIST	REVISIONS					
DF	AO	P	LTR	DESCRIPTION	DATE	MIN	APD
		J		REV PER EDD 07-01&300	8-22-07	CT	KH



- 1 ELECTRICAL ENGAGEMENT POINT.
- 2 COLORS IN BIN CODE BAND MUST MEET EIA STD RS-359 OR USAS C83.1-1969 WITHIN THE EXTENDED LIMITS OF COLOR TOLERANCE NOTATIONS & COLOR CHIPS. LEFT BAND TO BE APPROX. TWICE THE WIDTH OF THE OTHER BANDS. FLAKING IN CRIMP AREA ACCEPTABLE PROVIDED COLOR BANDS ARE IDENTIFIABLE.

.714 ± .004 [18.14 ± 0.10]	SEE VIEW Y-Y	208270-4
.718 ± .005 [18.24 ± 0.13]	SEE VIEW T-T	208270-2
DIM A	COLOR CODE	PART NUMBER

THIS DRAWING IS A CONTROLLED DOCUMENT.		DR C. THOMAS 6-17-97	Tyco Electronics Corporation Harrisburg, PA 17105-3608
DIMENSIONS: INCHES (mm)		OK S. McINTIRE 6-25-97	
MATERIAL: SEE CALLOUTS		FINISH: SEE CALLOUTS	APD S. McINTIRE 6-25-97
CUSTOMER DRAWING		SIZE: A2	CAGE CODE: 00779
		SCALE: 8:1	SHEET: 1 of 1

AMP 1471-9 REV 31MM2000

21AUG2007 1:31pm us016412 H:\docmod\208270\_1\_c.dwg

208270

A