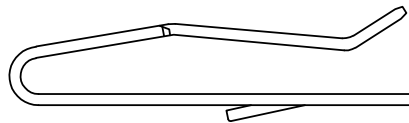
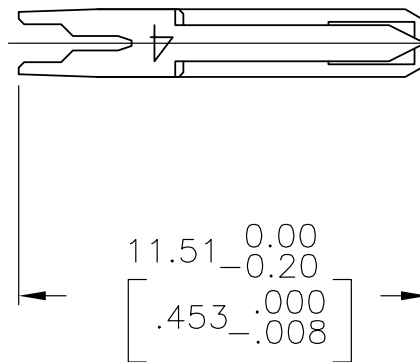


LOC	DIST	REVISIONS					
CM	00	P	LTR	DESCRIPTION	DATE	DWN	APVD
			D	ECO-07-007260	09APR07	KW	DB
			D1	REVISED PER ECO-09-021510	15AUG09	KK	AEG

1 OBSOLETE PARTS: OBSOLETE CIS STREAMLINING PER D.RENAUD/D.SINISI

ALL DIMENSIONS IN BRACKET ARE IN INCHES.



RELEASED FOR PUBLICATION

ALL RIGHTS RESERVED.

BY TYCO ELECTRONICS CORPORATION.

THIS DRAWING IS UNPUBLISHED.

© COPYRIGHT

METRIC

1 SUPERSEDED

TIN	641644-2
TIN-LEAD	641644-1
FINISH	PART NO

DIMENSIONS: mm [INCHES]		DWN L.SMITH 20JAN94	MATERIAL 0.30[.012] THK COPPER ALLOY	FINISH MATTE TIN OR BRIGHT TIN LEAD 0.00203[.000080] MIN THK
TOLERANCES UNLESS OTHERWISE SPECIFIED:		CHK R.SWING 20JAN94	Tyco Electronics Corporation Harrisburg, PA 17105-3608	
0 PLC ± -		APVD E.BEILES 27JAN94		
1 PLC ± -		PRODUCT SPEC	NAME CONTACT,0.36-0.51[.014-.020] POST LOOSE PIECE 24 AWG WIRE,MTA-100	
2 PLC ± -		APPLICATION SPEC	SIZE	CAGE CODE
3 PLC ± -			A4	00779
4 PLC ± -			DRAWING NO C-641644	
ANGLES ± -		WEIGHT	RESTRICTED TO	
		CUSTOMER DRAWING		SCALE 5:1
				SHEET 1 OF 1
				REV D1