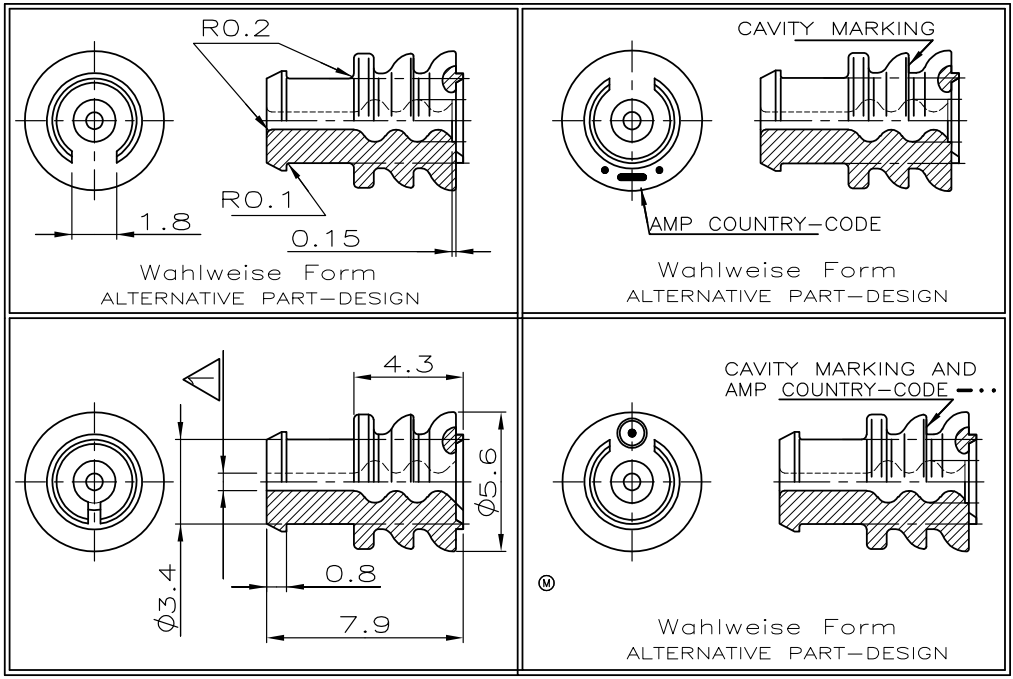


| | | | | | | | | |
|---|------------|------|-----------|-----|---------------------------|---------|-----|------|
| ANDERUNGEN, DIE DEM TECHNISCHEN FORT- SCHRITT DIENEN, BE- HALTEN WIR UNS VOR | LOC | DIST | REVISIONS | | | | | |
| | | | P | LTR | DESCRIPTION | DATE | DWN | APVD |
| NUMMER | 828904 | | | M2 | REVISED PER ECO-11-005150 | 21MAR11 | RK | HMR |
| VERWENDET FÜR | | | | | | | | |
| WAR NR. | 87-9398-50 | | | | | | | |

M 1:1



- ④ Verpackt in Kunststoff-Beutel zu 5 000 Teilen
PACKAGING IN PLASTIC BAG: QTY 5 000 PIECES
- ③ Verpackt in Kunststoff-Beutel zu 10 000 Teilen
PACKAGING IN PLASTIC BAG: QTY 10 000 PIECES
- ② Verpackt in Kunststoff-Beutel zu 1 000 Teilen
PACKAGING IN PLASTIC BAG: QTY 1 000 PIECES
- ① Für Isolationsø 1.2-2.1 mm

| | | | | |
|-------------|-----|-----------|--------------------------------------|----------|
| 828904-3 | ④ | M | SILICON SHORE A 50' lubriziert | hellblau |
| 828904-2 | ③ | M | | |
| 828904-1 | ② | M | | |
| BESTELL-NR. | REV | WERKSTOFF | OBERFLÄCHE | FARBE |

CAD-ORIGINAL
ZEICHNUNG NICHT ÄNDERN

ZEICHNUNG GÜLTIG AB

| | | | | |
|---|-------------|--------------------------------|-----------------|-----------------|
| DIMENSIONS: mm | | DWN H.Bouda 16 MAY 88 | MATERIAL | FINISH |
| TOLERANCES UNLESS OTHERWISE SPECIFIED: | | CHK W. PFEFFER 17 MAY 88 | TE Connectivity | |
| 0 PLC ± - | 1 PLC ± 0.3 | APVD - | | |
| 2 PLC ± - | 3 PLC ± - | PRODUCT SPEC - | SIZE | CAGE CODE |
| 4 PLC ± - | ANGLES ± - | APPLICATION SPEC - | DRAWING NO | |
| WEIGHT - | | A4 | | 00779 |
| CUSTOMER DRAWING | | C-828904 | | RESTRICTED TO - |
| | | SCALE | 5:1 | SHEET 1 OF 1 |
| | | | | REV M2 |

THIS DRAWING IS UNPUBLISHED. ALL RIGHTS RESERVED.