

4

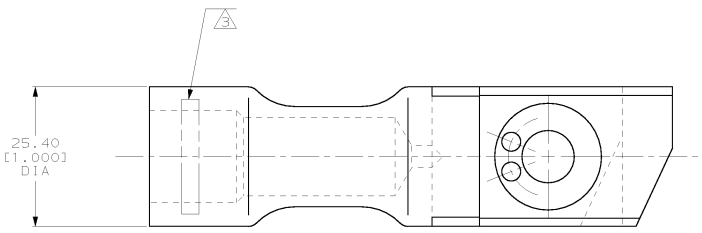
3

2

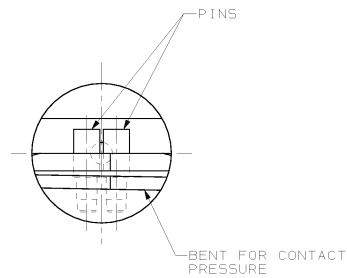
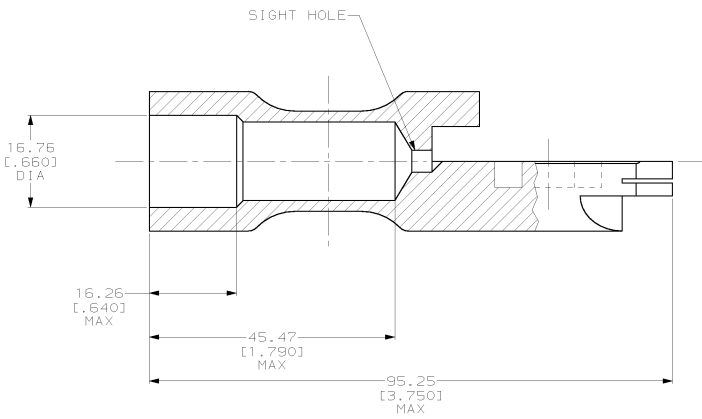
1

THIS DRAWING IS UNPUBLISHED. RELEASED FOR PUBLICATION
 © COPYRIGHT 19 BY AMP INCORPORATED. ALL RIGHTS RESERVED.

LOC	DIST	REVISIONS			
		DESCRIPTION	DATE	BY	APPD
G	86				
		0 RELEASED PER PR 97-151	26 JAN 98	DKS	SJU



- △ BODY AND PINS, BRASS PER Q0-B-626
- △ SILVER PL 0.00762 [1.000300] MIN THK PER Q0-S-365
- △ STAMP AEG 7077D80617 2/O A33 LOCATED IN AREA APPROX AS SHOWN



696037-1
 AMP
 PART NUMBER

THIS DRAWING IS A CONTROLLED DOCUMENT		DRN CHK SCL	SCHUEM UNSER	23 JAN 98 26 JAN 98	AMP Incorporated Harrisburg, PA 17105-3608	TERMINAL ASSY, QUICK-DISCONNECT, AMPPOWER™ WIRE SIZE: 2/O AWG	RESTRICTED TO - - -
DIMENSIONS mm (INCHES)	TOLERANCES UNLESS OTHERWISE SPECIFIED	APPRO SCL	MICHELWITT	26 JAN 98			
0 PLC ±.015 1 PLC ±.010 2 PLC ±.0075 3 PLC ±.005 4 PLC ±.0025 5 PLG ±.0025 6 PLG ±.0015	.015 .010 .0075 .005 .0025 .0015	PRODUCT SPEC APPLICATION SPEC DETAIL	108-13014 - -	SCALE 2:1	SHEET 1 OF 1	REV 0	
MATERIAL		FINISH		CUSTOMER DRAWING		A2 00779 C- 696037	

696037
 B

A