

4

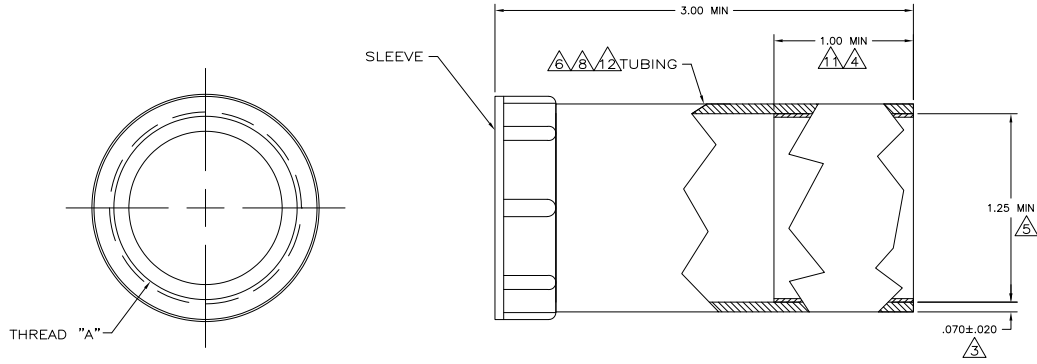
3

2

1

THIS DRAWING IS UNPUBLISHED. RELEASED FOR PUBLICATION
 © COPYRIGHT - By - ALL RIGHTS RESERVED.

LOC	DIST	REVISIONS			
P	LTR	DESCRIPTION	DATE	BY	APPD
FT	0				
	V2	REVISED PER ECO-11-004917	11MAR11	RK	HMR



- NOTES:
- △ POLYOLEFIN, BLACK.
 - △ NYLON, BLACK.
 - △ NOMINAL WALL THICKNESS, EXPANDED.
 - △ LENGTH OF SEALANT.
 - △ EXPANDED INSIDE DIAMETER.
 - △ 12.70[.500] MAXIMUM RECOVERED INSIDE DIAMETER.
 - 7. ASSEMBLY WILL PASS 0.0703 KG PER SQ CENTIMETER [ONE POUND PER SQ IN.] WATER PRESSURE TEST.
 - △ 121°C [250°F] SHRINK TEMPERATURE.
 - 9. -55°C TO 110°C [-67°F TO 230°F] OPERATING TEMPERATURE.
 - 10. THIS PART WILL ACCOMMODATE $\phi 13.97 - \phi 31.75$ [$\phi .550 - \phi 1.250$] CABLE RANGE.
 - △ 11 NO SEALANT APPLIED.
 - △ 12 ACTUAL SHAPE MAY VARY DUE TO PROCESS VARIANCE.
 - △ 13 OBSOLETE PARTS: OBSOLETE CIS STREAMLINING PER D.RENAUD/D.SINISI

△ 13 OBSOLETE	△ 1 7/16-18 UNEF-2B	54012-6
	△ 1 3/8-18 UNEF-2B	54012-5
	△ 1 7/16-18 UNEF-2B	54012-4
	△ 1 3/16-18 UNEF-2B	54012-3
	△ 1 3/8-18 UNEF-2B	54012-1
	THREAD "A"	PART NUMBER

THIS DRAWING IS A CONTROLLED DOCUMENT.		DRN C. REIFENHARDT 10 APR 96	TE Connectivity	
DIMENSIONS: INCHES		CHK S. STONE 15 APR 95	TE	
TOLERANCES UNLESS OTHERWISE SPECIFIED:		APPD J.A. WETZEL 03 MAY 96	STRAIN RELIEF ASSY, SHELL SIZE 23, CPC	
MATERIAL TUBING: △ SLEEVE: △		FINISH	SIZE A2	CAGE CODE 00779
		APPLICATION SPEC	DRAWING NO C=54012	RESTRICTED TO
		WEIGHT	SCALE 2:1	SHEET 1 of 1
		CUSTOMER DRAWING	REV V2	