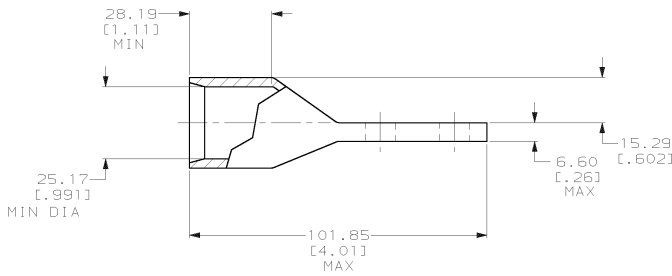
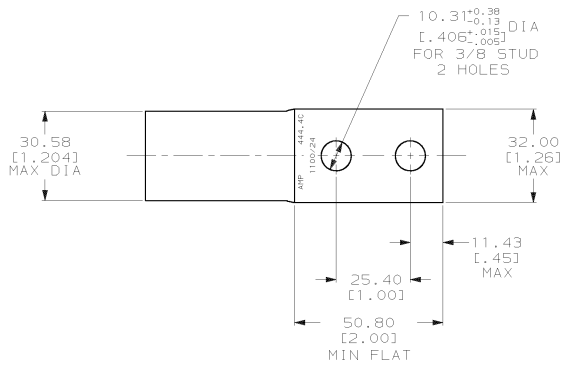


DRAWING MADE IN THIRD ANGLE PROJECTION
 THIS DRAWING IS UNPUBLISHED. RELEASED FOR PUBLICATION .19
 © COPYRIGHT 19 BY AMP INCORPORATED. ALL INTERNATIONAL RIGHTS RESERVED.

LOC	DIST	P	F	ZONE	LTR	REVISIONS	DATE	APPD	
6	86					C	REV PER 063A-0561-01	080CT02	3 rd



- △ TIN PL 0.00381 [0.000150] MIN THK PER MIL-T-10727
- 2 CRIMP DIES: P/N 46755-2 (500 MCM)
- HYDRAULIC HEAD: P/N 69082

METRIC

DO NOT SCALE PRINT. UNLESS SPECIFIED DIMENSIONS IN mm (INCHES) TOLERANCES ON: 2 PLC DEC ± 0.51 (0.020) 3 PLC DEC ± - ANGLES ± -		DR 03/09/90 DK SCHIRM	326151-1 PART NO	
MATERIAL ANNEALED COPPER ASTM B-75	CHK 24JAN95 MS FEHER	APPD 24JAN95 WJ VOCKROTH	AMP INCORPORATED Harrisburg, Pa. 17105	
FINISH △	APPD 24JAN95 TL SHUTTER	PRODUCT SPEC 108-30200	NAME TERMINAL, CENTERLINE TONGUE, AMPPOWER™ WIRE SIZE: 444.4 MCM	
WEIGHT -	APPLICATION SPEC -	SIZE C	CAGE CODE 00779	DRAWING NO 326151
		SCALE 1:1	SHEET 1 OF 1	

326151

A