

4

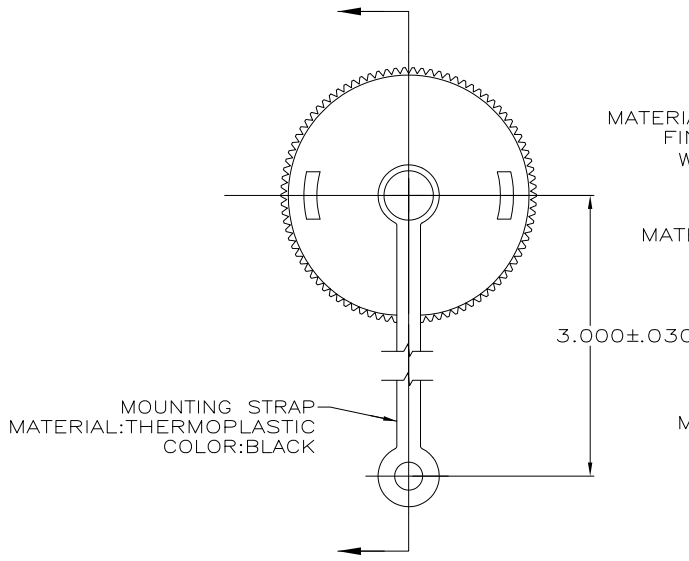
3

2

1

THIS DRAWING IS UNPUBLISHED. RELEASED FOR PUBLICATION
 © COPYRIGHT - By - ALL RIGHTS RESERVED.

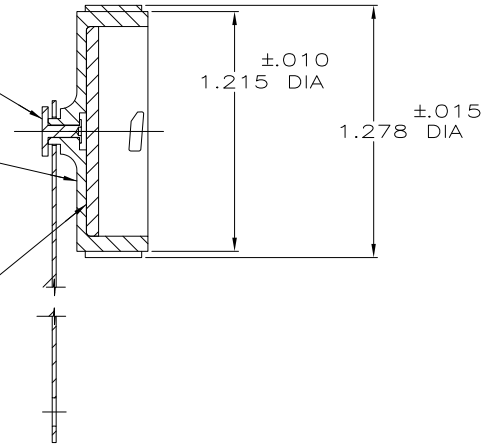
LOC	DIST	REVISIONS			
P	LTR	DESCRIPTION	DATE	DWN	APVD
FT	4	G1	REVISED PER ECO-11-004820	11MAR11	RK HMR



RIVET
 MATERIAL: CARBON STEEL
 FINISH: ZINC PLATE
 W/CLEAR CHROMATE

SEALING CAP
 MATERIAL: THERMOPLASTIC
 COLOR: BLACK

SEALING GASKET
 MATERIAL: NEOPRENE
 RUBBER
 SEE TABLE



SUPERCEDED BY 207445-3

YES	YES	207445-3
YES	NO	207445-2
NO	YES	207445-1
ROHS COMPLIANT	SEALING GASKET	PART NUMBER

THIS DRAWING IS A CONTROLLED DOCUMENT.		DWN	S. RIDGLEY	7/30/90	TE Connectivity	
DIMENSIONS: INCHES		CHK	R. STONE	4-26-91	NAME	
TOLERANCES UNLESS OTHERWISE SPECIFIED:		APVD	K. BEAVER	4-30-91	SEALING CAP ASSY, SIZE 17, CPC	
0 PLC	± -	PRODUCT SPEC		SIZE		
1 PLC	± -	APPLICATION SPEC		A3	00779	C-207445
2 PLC	± -	WEIGHT		RESTRICTED TO		
3 PLC	± .005	MATERIAL		CUSTOMER DRAWING		
4 PLC	± -	FINISH		SCALE 2:1 SHEET 1 OF 1 REV G1		
ANGLES	± -	SEE CALLOUTS				