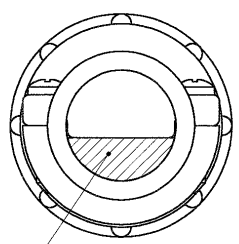
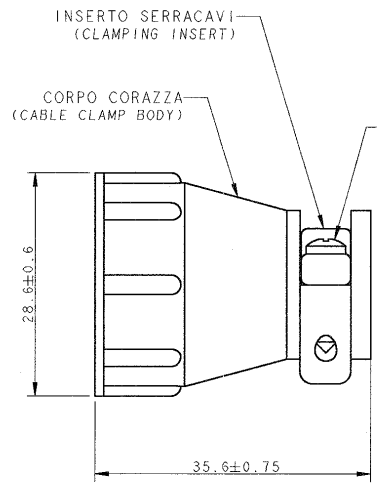


THIS DRAWING IS UNPUBLISHED. RELEASED FOR PUBLICATION
 © COPYRIGHT ALL RIGHTS RESERVED.

LOC		DIST		REVISIONS			
P	LTR	DESCRIPTION	DATE	DWN	APVD		
C1		REVISED PER ECO-11-005140	01APR11	RK	HMR		



AREA SERRAGGIO CAVI (CLAMPING AREA) 3



- 1) MATERIALE : TERMOPLASTICO, COLORE NERO
 (MATERIAL : THERMOPLASTIC, BLACK COLOUR)
- 2) PARTICOLARI FORNITI NON ASSEMBLATI IN SACCHETTO DI PLASTICA
 (PARTS PACKAGED UNASSEMBLED INTO A PLASTIC BAG)
- 3 L'AREA SERRAGGIO CAVI E' VARIABILE DA 6.45 A 103.9 mm²
 IN FUNZIONE DEL TIPO E POSIZIONE DELL'INSERTO SERRACAVO
 (CABLE CLAMPING AREA ADJUSTABLE FROM .010 TO .410 SQ. IN.
 BY SELECTING AND REVERSING CLAMPING INSERTS)
- 4) QUESTO CONNETTORE E' RICONOSCIUTO E CERTIFICATO
 (THIS CONNECTOR IS UL RECOGNIZED AND CSA CERTIFIED)
- 5) Ø MAX DEL FASCIO CAVI = 11.5 mm.
 (MAXIMUM CABLE O.D. = .453 IN.)

P/N 182655-1 COME RAPPRESENTATO
 (P/N 182655-1 AS SHOWN)

DIMENSIONS (mm)		TOLERANCES UNLESS OTHERWISE SPECIFIED:		DWR R. FABRIZIO 06DEC00	TE Connectivity C.P.C. CABLE CLAMP KIT SIZE 17			
		0-PLC ± 1-PLC ±0.3 2-PLC ± 3-PLC ± 4-PLC ± ANGLES ±°	APVD C. TARTARI PRODUCT SPEC 108-10024 APPLICATION SPEC	NAME				SIZE
MATERIAL	FINISH			WEIGHT	A3	00779	182655	
CUSTOMER DRAWING					SCALE 2:1	SHEET	OF	REV C1