

4

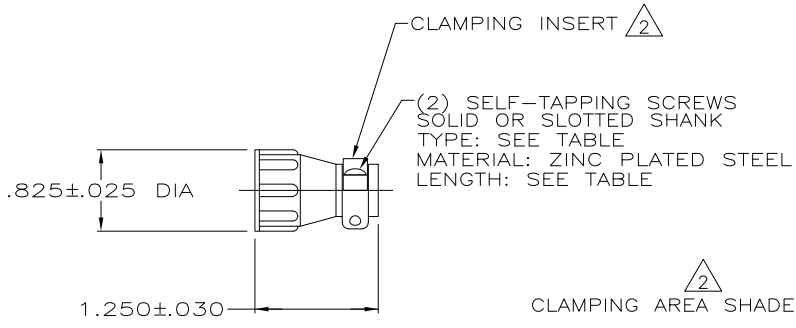
3

2

1

THIS DRAWING IS UNPUBLISHED. RELEASED FOR PUBLICATION
 © COPYRIGHT - By - ALL RIGHTS RESERVED.

LOC		DIST		REVISIONS			
P	LTR	DESCRIPTION		DATE	DWN	APVD	
	U4	REVISED PER ECO-11-004587		11MAR11	RK	HMR	



- 1 PARTS PACKAGED UNASSEMBLED.
- 2 CABLE CLAMPING AREA ADJUSTABLE FROM .004 TO .055 SQ IN BY REVERSING CLAMPING INSERTS.
- 3 .329 MAXIMUM CABLE OUTSIDE DIAMETER.
- 4 BULK PACKAGED KITS TO BE ORDERED IN MULTIPLES OF 400 ONLY.
- 5 OBSOLETE PART NUMBER.
- 6 STAINLESS STEEL (NON MAGNETIC).
- 7 CABLE CLAMP WITH NON-MAGNETIC STAINLESS STEEL SCREWS.
- 8 ZINC PLATED STEEL, NON-HEXAVALENT CHROMATE.
- 9 OBSOLETE PARTS: OBSOLETE CIS STREAMLINING PER D.RENAUD/D.SINISI

4 BULK	6	.50 ⁺ .00	#5-20	1-206062-7
INDIVIDUAL	8	.38 ⁺ .05	#5-20	1-206062-6
4 BULK	8	.38 ⁺ .05	#5-20	1-206062-5
INDIVIDUAL	8	.50 ⁺ .05	#5-20	1-206062-4
INDIVIDUAL	8	.62 ⁺ .05	#5-20	1-206062-3
INDIVIDUAL	6	.50 ⁺ .05	#5-20	1-206062-2
SUPERSEDED BY 1-206062-3	8	.62 ⁺ .05	#5-20	1-206062-1
9 OBSOLETE	8	.38 ⁺ .05	#5-20	1-206062-0
AMP BRAZIL USE ONLY		12mm ⁺ .8	3mm-20	5 206062-9
AMP BRAZIL USE ONLY		10mm ⁺ .8	3mm-20	5 206062-8
SUPERSEDED BY 1-206062-7	4 BULK	.50 ⁺ .05	#5-20	206062-4
SUPERSEDED BY 1-206062-4	INDIVIDUAL	.50 ⁺ .05	#5-20	206062-3
SUPERSEDED BY 1-206062-5	4 BULK	.38 ⁺ .05	#5-20	206062-2
SUPERSEDED BY 1-206062-6	INDIVIDUAL	.38 ⁺ .05	#5-20	206062-1

PACKAGING	SCREW FINISH	SCREW LENGTH	SCREW TYPE	PART NUMBER
THIS DRAWING IS A CONTROLLED DOCUMENT.				
DIMENSIONS: INCHES		TOLERANCES UNLESS OTHERWISE SPECIFIED:		
0 PLC ± -		1 PLC ± -		
1 PLC ± -		2 PLC ± -		
2 PLC ± -		3 PLC ± -		
3 PLC ± -		4 PLC ± -		
4 PLC ± -		ANGLES ± -		
MATERIAL THERMOPLASTIC		FINISH -		
DWN A GRAFF 4/28/91		CHK W.G.LENKER 7-22-92		
APVD -		NAME -		
PRODUCT SPEC -		APPLICATION SPEC -		
WEIGHT -		SIZE A3		
CUSTOMER DRAWING		CAGE CODE 00779		
		DRAWING NO C-206062		
		RESTRICTED TO -		
		SCALE NTS		
		SHEET 1 OF 1		
		REV U4		