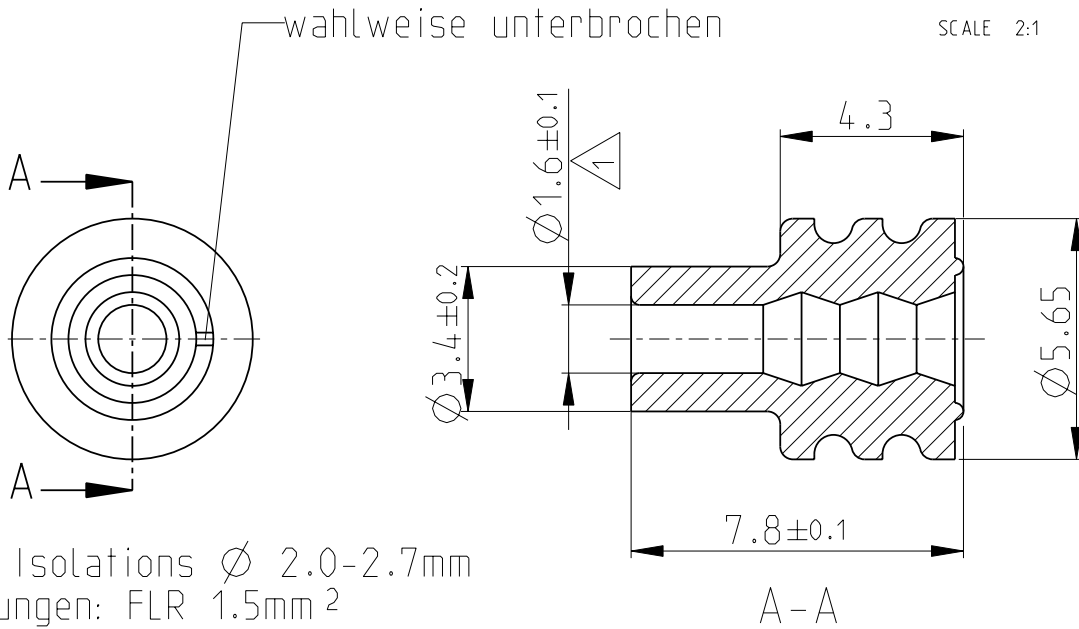


LOC	DIST	REVISIONS				
P	LTR	DESCRIPTION	DATE	DWN	APVD	
A1	-	G2	REVISED PER ECO-11-005027	20MAR2011	RK	HMR
Pr-No	87-9088					



SCALE 2:1



1 Für Isolations \varnothing 2.0-2.7mm
Leitungen: FLR 1.5mm²
FLK 0.5-1.0mm²

963293-2	G	FLUOR-SILIKONKAUTSCHUK SHORE A 50°	rotbraun (~RAL 3011)
963293-1	F	SILIKONKAUTSCHUK SHORE A 50° lubriziert	braunrot (~RAL 3011)
BESTELL-NR.	REV.	WERKSTOFF	FARBE

19-
 RELEASED FOR PUBLICATION
 ALL RIGHTS RESERVED.
 BY -
 COPYRIGHT 19-

DIMENSIONS: mm		DWN R.SCHÖFER	29JAN97	MATERIAL	SEE TABLE	FINISH	SEE TABLE
TOLERANCES UNLESS OTHERWISE SPECIFIED:		CHK U.MünK	29JAN97	TE Connectivity			
0 PLC	±	APVD	-				
1 PLC	±	PRODUCT SPEC	108-18159-1	NAME SINGLE-WIRE-SEAL INSULDIA 2.0-2.7 EINZELLEITERDICHTUNG			
2 PLC	±0.2	APPLICATION SPEC	114-18018	SIZE	CAGE CODE	DRAWING NO	RESTRICTED TO
3 PLC	±	WEIGHT	ca. 0.1g	A 4	00779	©=963293	-
4 PLC	±0.000	CUSTOMER DRAWING					
ANGLES	±	SCALE 10:1		SHEET 1 OF 1		REV G2	