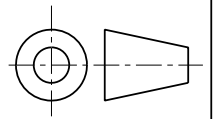


CAD-Original
nicht ändern

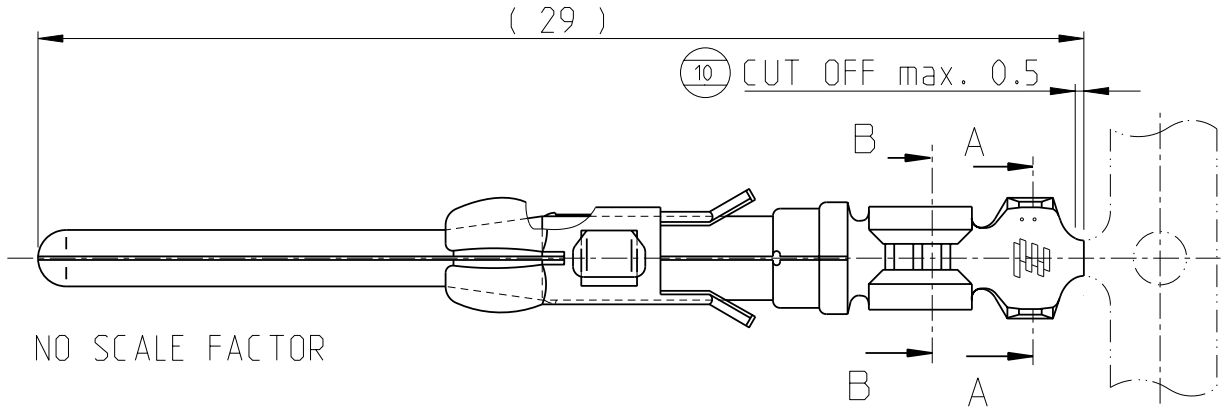
DRAWING VALID FROM: ---
Zeichnung gültig ab: ---

METRIC



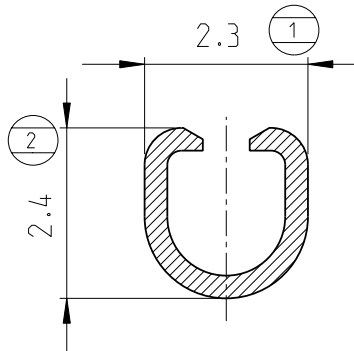
EUROPEAN PROJECTION

USE HANDTOOL: CRIMPAC TOOL II PN 0-825582-0

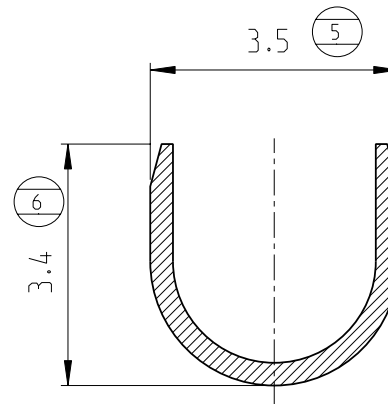


NO SCALE FACTOR

WIRE BARREL
B-B



INSULATION BARREL
A-A



1 CRIMP PRE-FORMED

2 DIMENSIONS FOR STRIP-FORM SEE DRAWING NO. C-926980

0-926980-2	2	PRE TINNED	CuZn 30	0-926981-2	1	D
0-926980-1		PRE TINNED	CuSn 4	0-926981-1		D
MADE FROM		FINISH	MATERIAL	LP NO		REV
LOC		WIRE RANGE		TOLERANCES		
GT		0.5-1.0 mm ²		±0.2		
DIST		INSULATION RANGE		NAME		
D2	SEE ECN	SEE ECR-10-017608	D2	CI 2 PIN (LOOSE PIECE)		
LTR	REVISION RECORD	ECN	DR CHK	DATE	K	
DR	30JAN2010	APPD		12.10.10	SCALE	LOC
M. Pavlicek		T. Konecny			10:1	GT
CHK	5FEB2010	REL			NUMBER	REV
P. Straka					A4	D2
				926981		

Tyco Electronics Tyco Electronics Czech s.r.o.
CZ- K AMP 1293, 664 34 Kurim