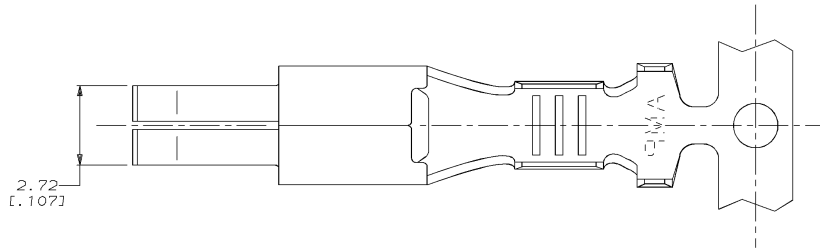
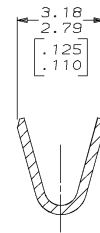
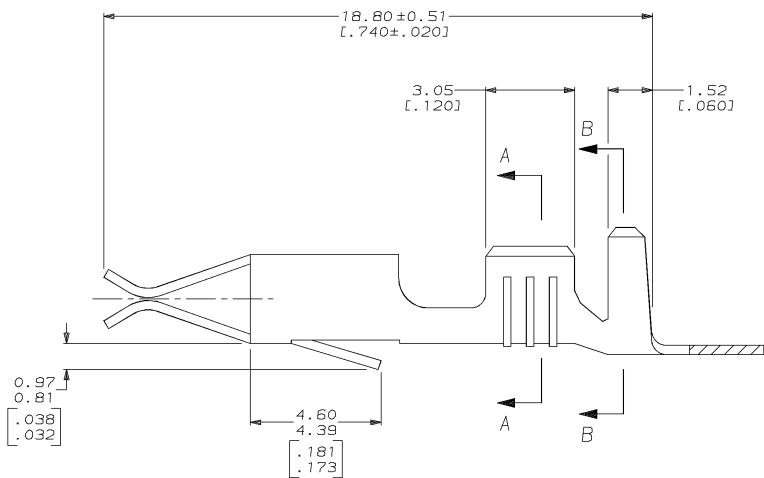


THIS DRAWING IS UNPUBLISHED. RELEASED FOR PUBLICATION .19
 © COPYRIGHT 19 BY AMP INCORPORATED. ALL INTERNATIONAL RIGHTS RESERVED.

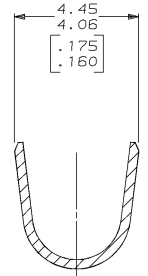
REVISIONS									
LOC	DIST	P	F	ZONE	LTR	DESCRIPTION	DATE	APPR	DS
AF	50				G	REV PER 0710-0427-95	27/SEP/95		



1. THIS IS THE DOMESTIC VERSION OF THE GERMAN PART NO. 925590.
2. WIRE RANGE: 0.5 - 1.4 mm² [20 - 16 AWG].
3. INSULATION RANGE: 2.29 - 3.30 [.090 - .130] DIA.
4. DIMENSIONS IN BRACKETS ARE IN INCHES.



SECTION A-A



SECTION B-B

PRE-TIN	0.30 [.012] PH BRZ	643222-2
PRE-TIN	0.30 [.012] BRASS	643222-1
FINISH	MATERIAL	PART NO

DO NOT SCALE PRINT. UNLESS SPECIFIED DIMENSIONS IN mm [INCHES] TOLERANCES ON: 2 PLC DEC ±0.13 (.005) 3 PLC DEC ± ANGLES ±		DR 4-12-93 T. BECK	AMP Incorporated Harrisburg, PA 17105-3608	
MATERIAL SEE TABLE		CHK 4-12-93 R. SWING		
FINISH SEE TABLE		APPD 10-6-93 G. MARTIN	NAME RECEPTACLE, MINI-SPRING	
APPLICATION SPEC -		APPD 10-6-93 G. MARTIN	SIZE C	CAGE CODE 00779
WEIGHT -		PRODUCT SPEC -	DRAWING NO C=643222	SHEET 1 OF 1

METRIC

THIS DRAWING IS A CONTROLLED DOCUMENT FOR AMP INCORPORATED. IT IS SUBJECT TO CHANGE AND THE CONTROLLING ENGINEERING ORGANIZATION SHOULD BE CONTACTED FOR THE LATEST REVISION.