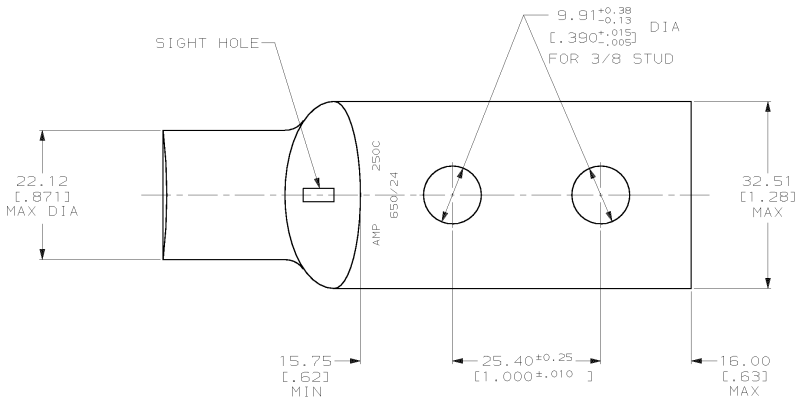
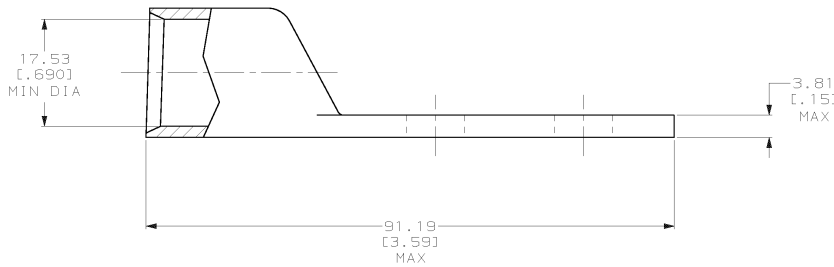


DRAWING MADE IN THIRD ANGLE PROJECTION  
 THIS DRAWING IS UNPUBLISHED. RELEASED FOR PUBLICATION .19  
 © COPYRIGHT 19 BY AMP INCORPORATED. ALL INTERNATIONAL RIGHTS RESERVED.

LOC	DIST	P	F	ZONE	LTR	REVISIONS	DATE	APPD
6	86					TEV PER 063A-0561-01	090CT02	JR/H5



1 CIRCULAR MIL RANGE: 231-275 MCM  
 TIN PL 0.00381 [0.000150] MIN THK PER MIL-T-10727



**METRIC**

DO NOT SCALE PRINT. UNLESS SPECIFIED DIMENSIONS IN mm (INCHES) TOLERANCES ON:		DR 02/28/90 DK SCHIRM		326804 PART NO	
2 PLC DEC ± 0.51 (0.020)		CHK 20JAN95 MS FEHER		AMP AMP INCORPORATED Murrysburg, Pa. 17135	
3 PLC DEC ± -		APPD 20JAN95 WJ VOCKROTH		NAME	
ANGLES ± -		APPD 20JAN95 TL SHUTTER		TERMINAL, AMPPOWER, WIRE SIZE: 250 MCM	
MATERIAL		PRODUCT SPEC 108-30200		SIZE C	
ANNEALED COPPER ASTM B-75		APPLICATION SPEC -		CAGE CODE 00779	
FINISH		WEIGHT .173 LB		DRAWING NO 326804	
TIN PL		SCALE 2:1		SHEET 1 OF 1	

326804

A