

4

3

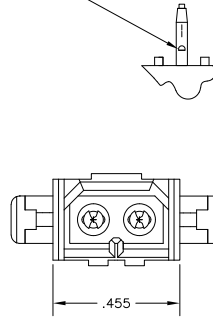
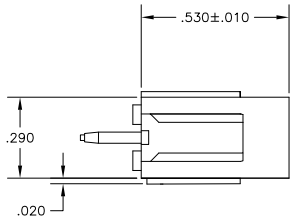
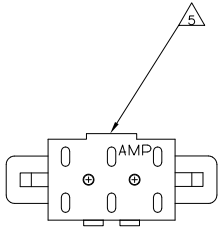
2

1

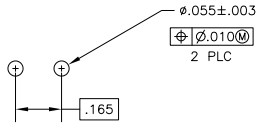
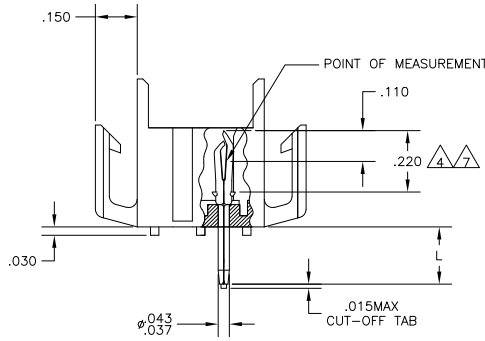
THIS DRAWING IS UNPUBLISHED. RELEASED FOR PUBLICATION. ALL RIGHTS RESERVED.

LOC	DIST	REVISIONS					
CM	0	P	LR	DESCRIPTION	DATE	BY	APPD
		P1		REVISED PER ECO-11-004917	11MAR11	RK	HMR

ANTI SOLDER WICKING TAB



- FITS SOCKET HOUSING 640517.
- ASSEMBLY CONFORMS TO AMP SOLDERABILITY SPEC. 109-11-3.
- FOR USE WITH .063 THICK P.C. BOARD.
- CONTACT IS PLATED OVERALL WITH .000050 NICKEL, THEN .000030 GOLD OVER CONTACT LENGTH INDICATED AND .000150 MATTE TIN-LEAD ON SOLDER TAIL END.
- UL AND CSA LOGO LOCATED ON THIS SURFACE.
- FOR USE WITH .120 THICK P.C. BOARD.
- CONTACT IS PLATED OVERALL WITH .000050 NICKEL, THEN .000030 GOLD OVER CONTACT LENGTH INDICATED AND .000150 MATTE TIN ON SOLDER TAIL END.



RECOMMENDED P.C. BOARD LAYOUT

.043	1.09	.530	13.46
.037	0.94	.455	11.56
.030	0.76	.290	7.37
.020	0.51	.220	5.59
.015	0.38	.210	5.33
.010	0.25	.165	4.19
.008	0.20	.150	3.81
.005	0.13	.110	2.79
.003	0.08	.063	1.60
.000050	0.00127	.055	1.40
IN	MM	IN	MM

CONVERSION TABLE

.210	BRICK RED	GOLD	2-640497-4
.150	BRICK RED	GOLD	2-640497-2
.210	BRICK RED	GOLD	640497-4
.210	BRICK RED	PRE-TIN	640497-3
.150	BRICK RED	GOLD	640497-2
.150	BRICK RED	PRE-TIN	640497-1
±.010 -.020	HOUSING COLOR	PIN FINISH	PART NUMBER

THIS DRAWING IS A CONTROLLED DOCUMENT.

DIMENSIONS: INCHES	DESIGNED BY: J. HUFFMAN 27AF998	DATE: 27AF998	TE Connectivity
OTHER DIMENSIONS: METRIC	CHK: S. SWING 27AF998	DATE: 27AF998	TE
APPROVED BY: T. BEDDICK 27AF998	NAME: J. HUFFMAN	DATE: 27AF998	TE Connectivity
MATERIAL: HOUSING: FLAME RETARDANT; SOLDER: 60/40; PIN: 608 PH. BRZ.	APPLICATION SPEC: -	SIZE: A2	00779
FINISH: SEE TABLE	WEIGHT: -	CAGE CODE: C=640497	DRAWING NO: 640497
	CUSTOMER DRAWING	SCALE: 4:1	SHEET: 1 of 1

