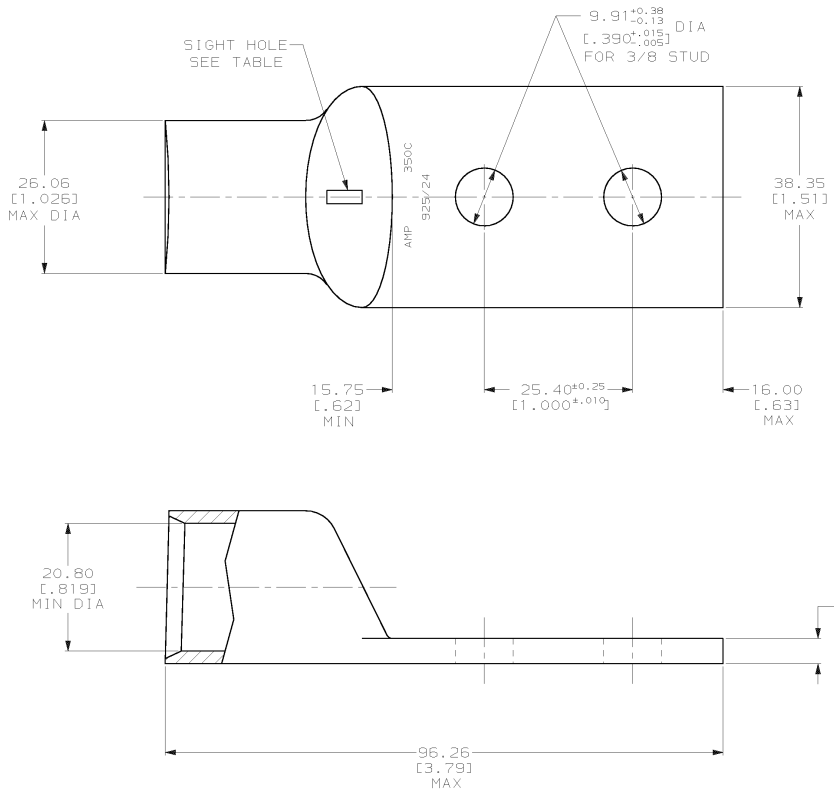


DRAWING MADE IN THIRD ANGLE PROJECTION
 THIS DRAWING IS UNPUBLISHED. RELEASED FOR PUBLICATION .19
 © COPYRIGHT 19 BY AMP INCORPORATED. ALL INTERNATIONAL RIGHTS RESERVED.

LOC	DIST	P	F	ZONE	LTR	DESCRIPTION	DATE	APPD
6	86					REV PER 063A-0561-01	0900T02	JR/MS



1 CIRCULAR MIL AREA RANGE: 325-375 MCM
 △ TIN PL 0.00381 [0.000150] MIN THK PER MIL-T-10727

METRIC

DO NOT SCALE PRINT. UNLESS SPECIFIED DIMENSIONS IN mm (INCHES) TOLERANCES ON: 2 PLC DEC ± 0.51 (.020) 3 PLC DEC ± - ANGLES ± -	DR 02/28/90 DK SCHIRM	NONE	326806-1
MATERIAL ANNEALED COPPER ASTM B-75	CHK 23JAN95 MS FEHER	REQUIRED	326806
FINISH △	APPD 23JAN95 WJ VOCKROTH	SIGHT HOLE	PART NO
	APPD 23JAN95 TL SHUTTER	AMP AMP INCORPORATED Murrysburg, Pa. 17155	
	PRODUCT SPEC 108-30200	NAME TERMINAL, AMPPOWER™ WIRE SIZE: 350 MCM	
WEIGHT .259 LB	APPLICATION SPEC -	SIZE C	CAGE CODE 00779
		DRAWING NO	326806
		SCALE 2:1	SHEET 1 OF 1