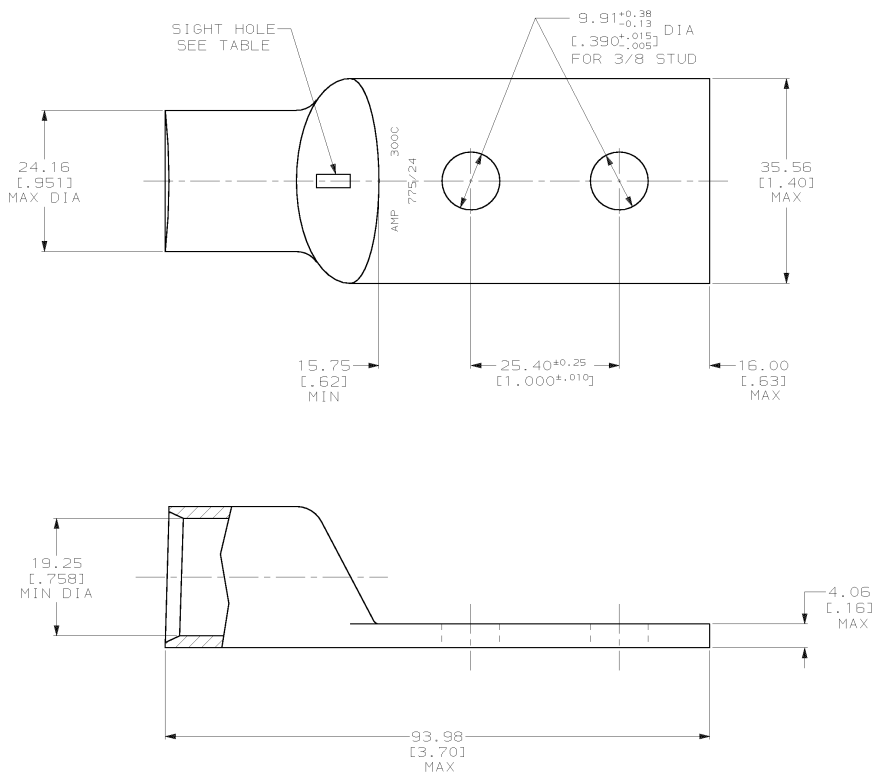


DRAWING MADE IN THIRD ANGLE PROJECTION  
 THIS DRAWING IS UNPUBLISHED. RELEASED FOR PUBLICATION .19  
 © COPYRIGHT 19 BY AMP INCORPORATED. ALL INTERNATIONAL RIGHTS RESERVED.

LOC	DIST	P	F	ZONE	LTR	DESCRIPTION	DATE	APPD
6	86					REV PER 063A-0561-01	090CT02	3 <sup>rd</sup>



1 CIRCULAR MIL AREA RANGE: 275-325 MCM  
 TIN PL 0.00381 [1.000150] MIN THK PER MIL-T-10727

**METRIC**

NONE		326805-1	
REQUIRED		326805	
SIGHT HOLE		PART NO	
<b>AMP</b> AMP INCORPORATED Harrisburg, Pa. 17105			
NAME TERMINAL, AMPPOWER, WIRE SIZE: 300 MCM			
MATERIAL ANNEALED COPPER ASTM B-188		DR 02/28/90 DK SCHIRM	CHK 23JAN95 MS FEHER
FINISH △		APPD 23JAN95 TL SHUTTER	APPD 23JAN95 WJ VOCKROTH
APPLICATION SPEC -		PRODUCT SPEC 108-30200	SCALE 2:1
WEIGHT .215 LB		SIZE C	CAGE CODE 00779
		DRAWING NO	326805
		SHEET	1 OF 1