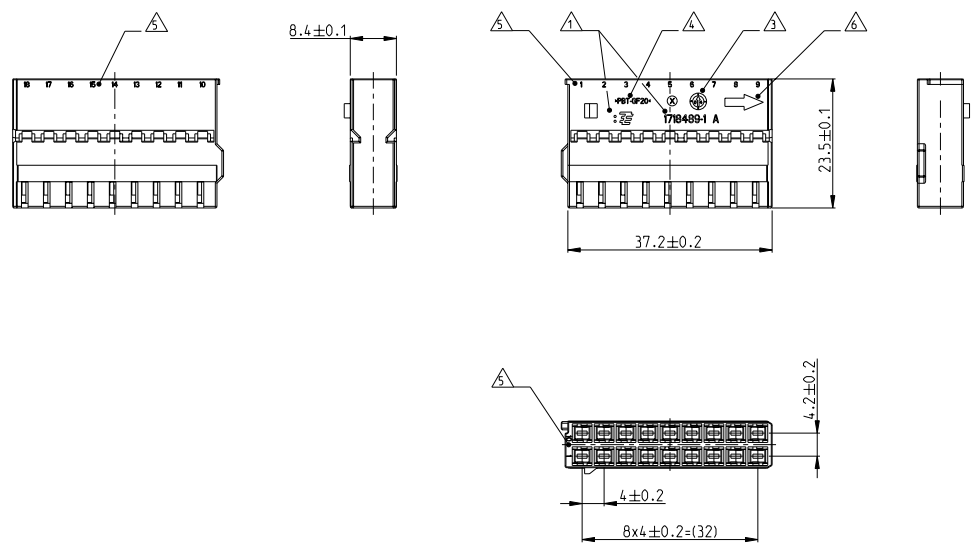


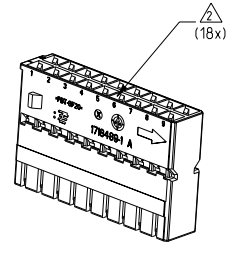
4 3 2 1

TECHNISCHE ANWEISUNGEN: RELEASED FOR PUBLICATION  
 BY TYCO ELECTRONICS CORPORATION. ALL RIGHTS RESERVED. DATE: 2004  
 DRAWING NO.: 1718486/1718485

LOC	DIST	REVISIONS				
PROJ. NR.	EGATNOZIS	P	LYR	DATE	DWN	APVD
A1	-	A	DRAWING CREATED	12AUG2004	FE	CE
		A1	MATERIAL CHANGED	24AUG2004	FE	CE
		A2	DRAWING CLARIFICATION SEE PEN E-10-003729	19FEB2010	MP	CE



- NOTES  
Bemerkungen
- 1 TYCO ELECTRONICS (TE) LOGO AND TE NUMBER  
Tyco Electronics (TE) Logo und TE Nummer
  - 2 CAVITIES MATED WITH AMP MCP1.5K UNSEALED  
SEE PRODUCT GROUP DRAWING  
TE NO.: 1241436 - MAX. WIRE SIZE: 1.5MM 24R  
Kontaktkammern passend für AMP MCP1.5K ungesichert  
siehe Produktgruppenezeichnung  
TE Nr.: 1241436 - max. Drahtgröße Bereich: 1.5mm 24R
  - 3 PRODUCTION DATE  
Produktionsdatum
  - 4 MATERIAL IDENTIFICATION ACC TO VDA 260  
Werkstoffkennzeichnung nach VDA 260
  - 5 CAVITY NUMBERING  
Kammernummerierung
  - 6 ASSEMBLY DIRECTION  
Montagerichtung
  - 7 BULK PACKAGING IN CORRUGATED BOX  
Schüttgut in Versandkarton
  - 8 FITS TO TE CARRIER 1718484 / 1718485  
Passt zu TE Träger 1718484 / 1718485



TY	TE	REV.	QTY	MAT.	COLOR	DESCRIPTION	ITEM	MATERIAL	SEE TABLE	SEE TABLE	CUSTOMER DRAWING	DATE	BY	CHK	APPD	NAME	COMPANY	ADDRESS	PHONE	FAX	EMAIL	WEBSITE
1718489-1	A	1	1	PBT-GF20	BLACK	RECEPTACLE INSERT	1	SEE TABLE	SEE TABLE	SEE TABLE	15 JUL 2004	Ch. Eberwein	Ch. Eberwein	Ch. Eberwein	19 FEB 2010	AMP MCP 1.5K RECEPTACLE INSERT, 18POS.	Tyco Electronics	64625 Bensheim (Germany)	06025 9000	06025 9001	www.tycoelectronics.com	