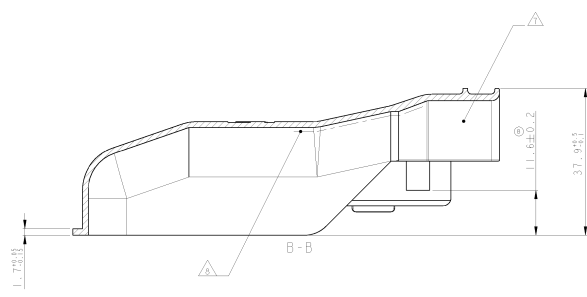
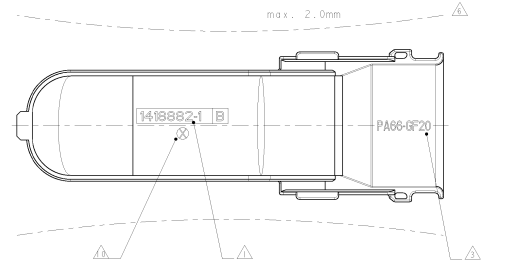
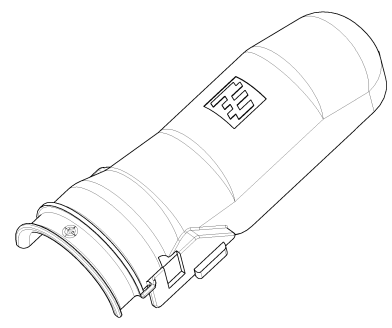
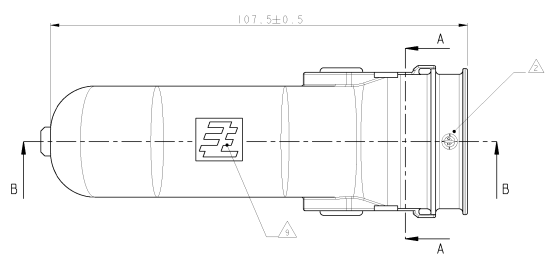
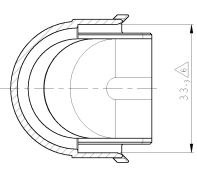


8	7	6	5	4	3	2	1
REVISIONS	DATE	BY	REASON	APPROVED	DATE	BY	REASON
A1							

REVISED PER ECO-11-06094	DA9811	RK	HMR
--------------------------	--------	----	-----



SECTION A-A  
Schnitt



- NOTES  
Bemerkungen
- ⚠️ TE CONNECTIVITY NUMBER  
TECONNECTIVITY Nummer
  - ⚠️ PRODUCTION DATE  
Produktionsdatum
  - ⚠️ MATERIAL MARKING ACC. TO VDA 260  
Werkstoffkennzeichnung nach
  - 4 BULK PACKAGING IN CORRUGATED BOX  
Schäftigert in Wellpappekarton
  - ⑤ FITS TO TE CONNECTIVITY FN:  
1418882, 1718323, 1718323, 1718324  
Passend zu TECONNECTIVITY FN:  
1418882, 1718323, 1718323, 1718324
  - ⚠️ WARPAGE TO . . . PERMITTED  
Verzug zulässig bis . . .
  - ⚠️ DESIGNED FOR CORRUGATED TUBE MW6  
Projiziert für Wellrohr MW6
  - ⚠️ NO SHARP EDGES PERMITTED  
Keine scharfen Kanten zulässig
  - ⚠️ TYCO ELECTRONICS LOGO  
Tyco Electronics Logo
  - ⚠️ CAVITY MARKING  
Hohlraumkennzeichnung

1418882-1	PA66-GF20	BLACK	COVER	Abdeckhaube	B	1
TE CONNECTIVITY PART-NO.	MAT	COLOR	DESCRIPTION	REVISION	ITEM	
TE CONNECTIVITY PART-NO.						

<p>REVISIONS</p> <p>DATE</p> <p>BY</p> <p>REASON</p>	<p>REVISIONS</p> <p>DATE</p> <p>BY</p> <p>REASON</p>	<p>REVISIONS</p> <p>DATE</p> <p>BY</p> <p>REASON</p>	<p>REVISIONS</p> <p>DATE</p> <p>BY</p> <p>REASON</p>
<p>TE CONNECTIVITY</p> <p>COVER FOR 39/62 POS. CONNECTORS</p> <p>Abdeckkappe für 39/62pol. Steckerverbinder</p>			
<p>1418882-1</p> <p>PA66-GF20</p> <p>BLACK</p> <p>COVER</p> <p>Abdeckhaube</p> <p>REV 1</p>		<p>1418882-1</p> <p>PA66-GF20</p> <p>BLACK</p> <p>COVER</p> <p>Abdeckhaube</p> <p>REV 1</p>	