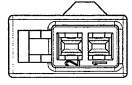
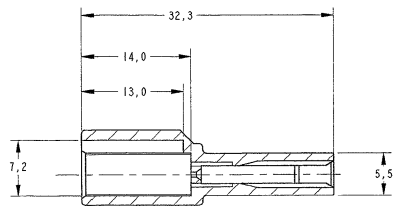
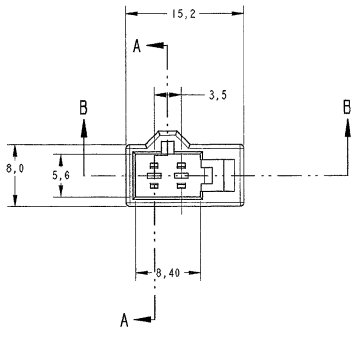
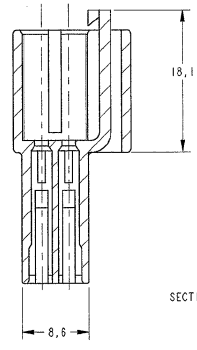


THIS DRAWING IS THE PROPERTY OF AMP. IT IS LOANED TO YOU FOR YOUR USE ONLY. IT IS NOT TO BE REPRODUCED OR TRANSMITTED IN ANY FORM OR BY ANY MEANS, ELECTRONIC OR MECHANICAL, INCLUDING PHOTOCOPYING, RECORDING, OR BY ANY INFORMATION STORAGE AND RETRIEVAL SYSTEM. ALL RIGHTS RESERVED.

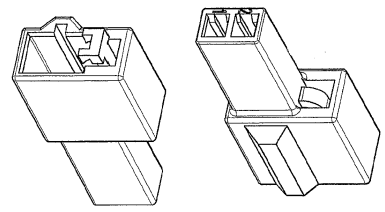
REV	DATE	DESCRIPTION	BY	CHKD	APP'D
0	26-Jun-97	ERA 97-29076-001			
-	-	-	-	-	-
-	-	-	-	-	-
-	-	-	-	-	-



SECTION A-A



SECTION B-B



PERSPECTIVE VIEW

LOGOTIPO AMP	AMP LOGO
CODIGO PAIS PRODUTOR	MANUFACTURER COUNTRY CODE
NOMENCLATURA MATERIAL	MATERIAL NOMENCLATURE
NUMERO COMPONENTE AMP	AMP COMPONENT NUMBER
NUMERO CAVIDADE	CAVITY NUMBER
IDENTIFICACAO CIRCUITO	CIRCUIT IDENTIFICATION
LOGOTIPO VW	VW LOGO
NUMERO PECA CLIENTE	CUSTOMER PART NUMBER

NOTES	PRETO BLACK	PA 6.6	493224 -
	FINISH	MATERIAL	PART NUMBER

DIMENSIONS: mm 	TOLERANCES UNLESS OTHERWISE SPECIFIED: 0 P/LC ±0,3 1 P/LC ±0,3 2 P/LC ±0,3 3 P/LC ±0,3 4 P/LC ±0,3 5 P/LC ±0,3 6 P/LC ±0,3 7 P/LC ±0,3 8 P/LC ±0,3 9 P/LC ±0,3 10 P/LC ±0,3 11 P/LC ±0,3 12 P/LC ±0,3 13 P/LC ±0,3 14 P/LC ±0,3 15 P/LC ±0,3 16 P/LC ±0,3 17 P/LC ±0,3 18 P/LC ±0,3 19 P/LC ±0,3 20 P/LC ±0,3 21 P/LC ±0,3 22 P/LC ±0,3 23 P/LC ±0,3 24 P/LC ±0,3 25 P/LC ±0,3 26 P/LC ±0,3 27 P/LC ±0,3 28 P/LC ±0,3 29 P/LC ±0,3 30 P/LC ±0,3 31 P/LC ±0,3 32 P/LC ±0,3 33 P/LC ±0,3 34 P/LC ±0,3 35 P/LC ±0,3 36 P/LC ±0,3 37 P/LC ±0,3 38 P/LC ±0,3 39 P/LC ±0,3 40 P/LC ±0,3 41 P/LC ±0,3 42 P/LC ±0,3 43 P/LC ±0,3 44 P/LC ±0,3 45 P/LC ±0,3 46 P/LC ±0,3 47 P/LC ±0,3 48 P/LC ±0,3 49 P/LC ±0,3 50 P/LC ±0,3 51 P/LC ±0,3 52 P/LC ±0,3 53 P/LC ±0,3 54 P/LC ±0,3 55 P/LC ±0,3 56 P/LC ±0,3 57 P/LC ±0,3 58 P/LC ±0,3 59 P/LC ±0,3 60 P/LC ±0,3 61 P/LC ±0,3 62 P/LC ±0,3 63 P/LC ±0,3 64 P/LC ±0,3 65 P/LC ±0,3 66 P/LC ±0,3 67 P/LC ±0,3 68 P/LC ±0,3 69 P/LC ±0,3 70 P/LC ±0,3 71 P/LC ±0,3 72 P/LC ±0,3 73 P/LC ±0,3 74 P/LC ±0,3 75 P/LC ±0,3 76 P/LC ±0,3 77 P/LC ±0,3 78 P/LC ±0,3 79 P/LC ±0,3 80 P/LC ±0,3 81 P/LC ±0,3 82 P/LC ±0,3 83 P/LC ±0,3 84 P/LC ±0,3 85 P/LC ±0,3 86 P/LC ±0,3 87 P/LC ±0,3 88 P/LC ±0,3 89 P/LC ±0,3 90 P/LC ±0,3 91 P/LC ±0,3 92 P/LC ±0,3 93 P/LC ±0,3 94 P/LC ±0,3 95 P/LC ±0,3 96 P/LC ±0,3 97 P/LC ±0,3 98 P/LC ±0,3 99 P/LC ±0,3 100 P/LC ±0,3	DATE: 21-May-97 M.R.R.: P.R. Goldschmidt A. Viçosa AMP AMP do BRASIL LTDA. São Paulo, Brasil. PRODUCT SPEC: APPLICATION SPEC: SHEET: A2 CASE CODE: 00779 DRAWING NO: 493224 WEIGHT: CUSTOMER DRAWING	AMP HOUSING, 2 POS., MICRO TIMER TAB.	SCALE: 3:1 SHEET: 1 OF 1
-----------------------	---	---	--	-----------------------------

AMP 1997-1998 RES 09/19/97 14:27:28

ORIGINAL

493224